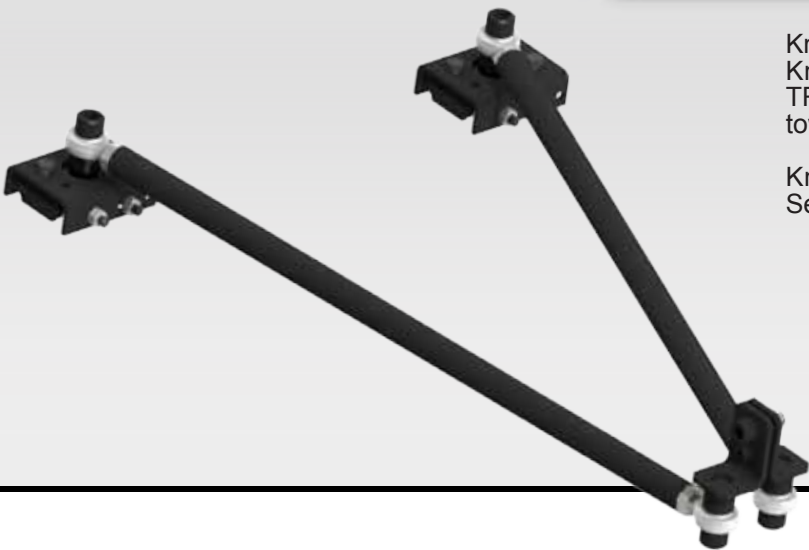


## TRA5004 Bridge Tow Bar Assembly



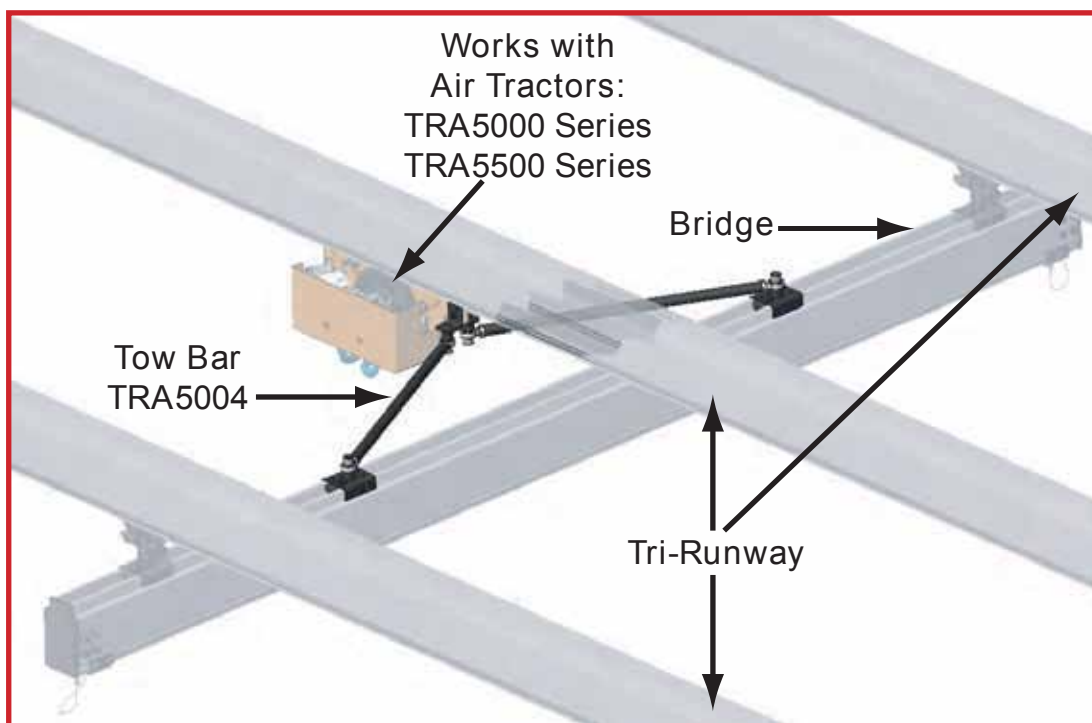
Knight Global's TRA5004 Bridge Tow Bar Assembly attaches to Knight's TRA5000 and TRA5500 Series Air Tractors. The TRA5004 Tow Bar Assembly allows for Knight Air Tractors to tow the overhead rail bridges.

Knight's TRA5004 tows Knight's RAD4110 and RAD7510 Series Aluminum Rail.

MAX. TOWING CAPACITY: 3,000 lbs [1,360kg].  
PRODUCT WEIGHT: 26.6 lbs. [12.07kg].

### TRA5004 Features

- Attaches Knight's TRA5000 and TRA5500 Series Air Tractors.
- Tows Knight's RAD4110 and RAD7510 Series Rail Bridges.
- Adjustable Spans.
- Easy Assembly and Installation.



For more information, please contact a Knight Global representative.



## TRA5004 Bridge Tow Bar Assembly

