

AAA4000 Articulating Arm (Light Duty)



Knight Global's AAA4000 Pedestal Mounted Light Duty Articulating Arm is a parallelogram arm that utilizes a single cylinder in the rear of the arm to achieve greater lifting capacity. This Arm is for secure tools and light lifting applications.

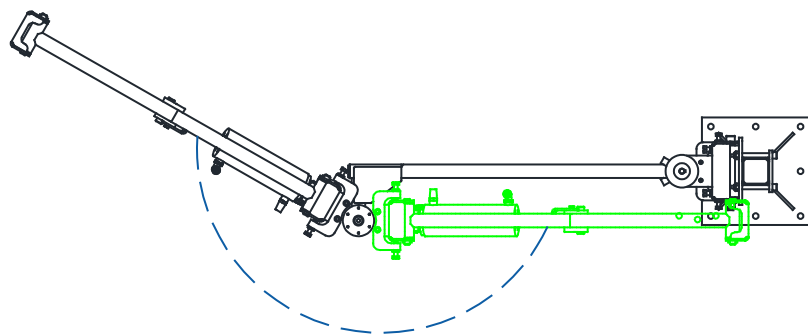
The AAA4000 Articulating Arm is used to lift, rotate, balance, and move product from conveyors, dunnage, assembly lines and more.

Knight offers fixed and rotational arm configurations.

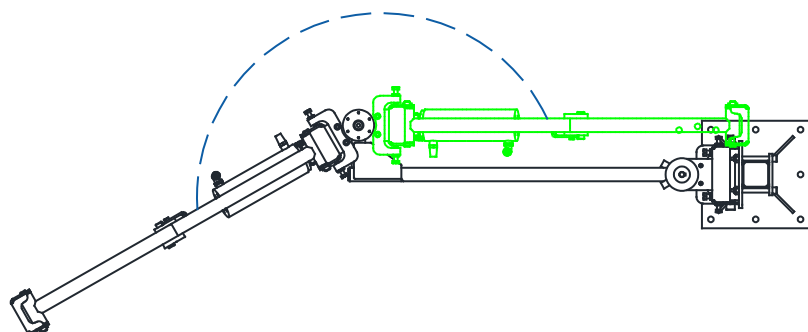
Features & Benefits

- Pedestal Mounted.
- Adjustable Arm Heights.
- Variety of Control Configurations.
- Max. Pedestal Height:
Up to 6 ft. [1828mm].*
- Max. Arm Length: Up to 36 in. [914mm].
- Max. Extension Boom Length:
Up to 36 in. [914mm].
- Max. Vertical Arm Travel:
Up to 36 in. [914mm].
- Max. Lifting/Balance Capacity:
 - 24" arm will lift 80 lbs at a min. of 60 psi.
 - 36" arm will lift 65 lbs at a min. of 60 psi.

*Custom post can be ordered for applications over 6ft.



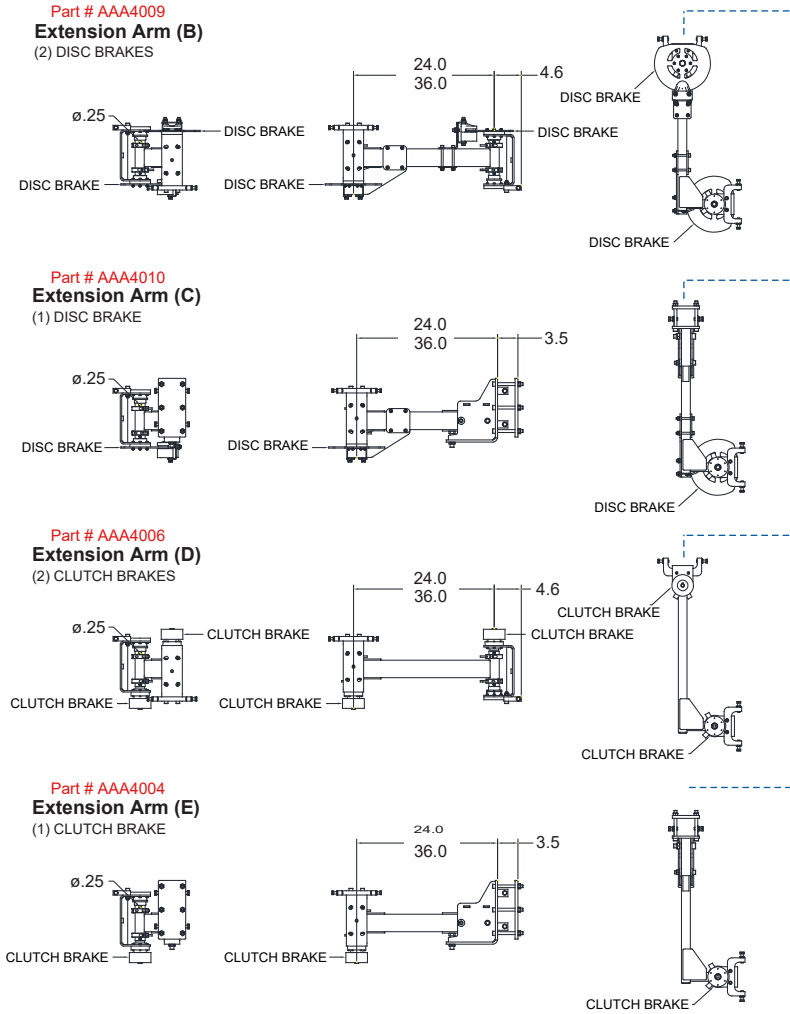
210 Degrees of
Rotation



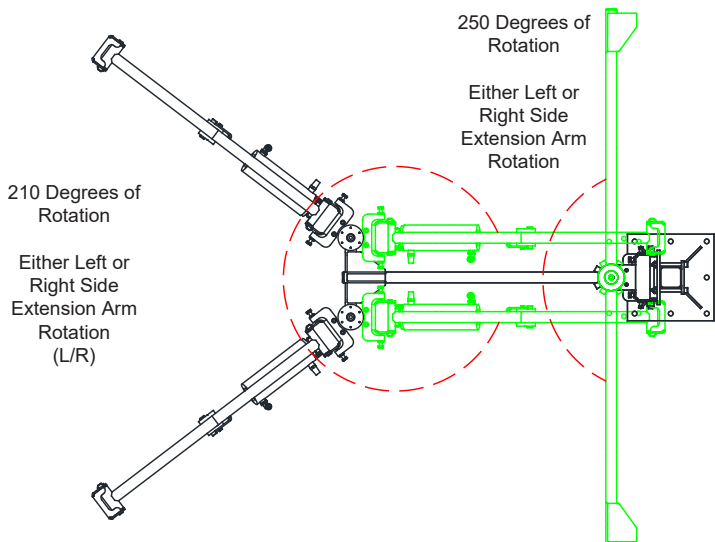
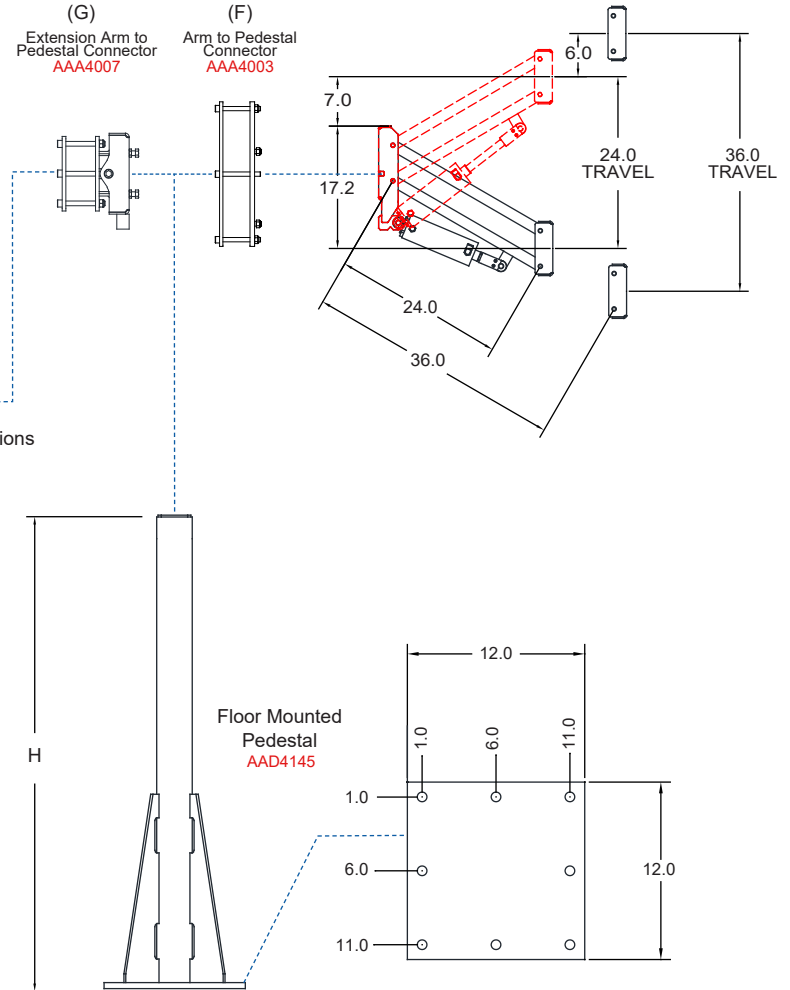
For more information, please contact a Knight Global representative.

AAA4000 Articulating Arm (Light Duty)

Arm Extensions



Arm Configurations



ORDER # EX: P4_24_B24L_F_H72

Optional [Omit if not required]

Arm Desc.	Arm Length	Arm Extension	Connector	Pedestal Height
P4	XX	XXX	X	XXX
	24 36	B24L, B24R B36L, B36R C24L, C24R C36L, C36R D24L, D24R D36L, D36R E24L, E24R E36L, E36R	F = AAA4003 G = AAA4007	Specify Height (Inches) HXX
ARM		ARM ACCESSORIES		