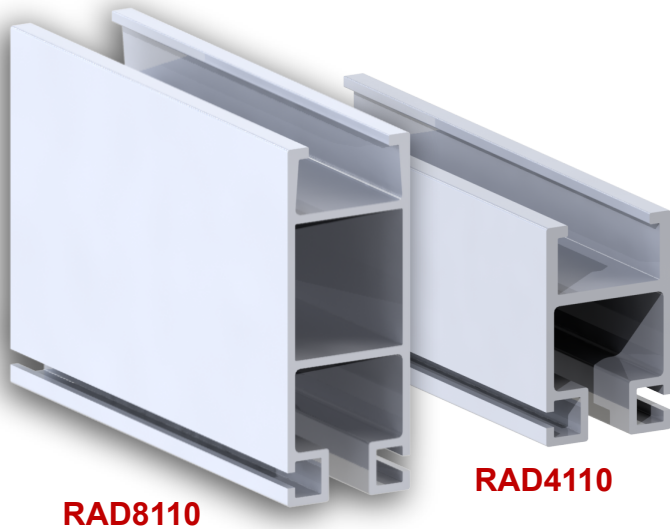


RAD8110 RAIL SERIES



RAD8110

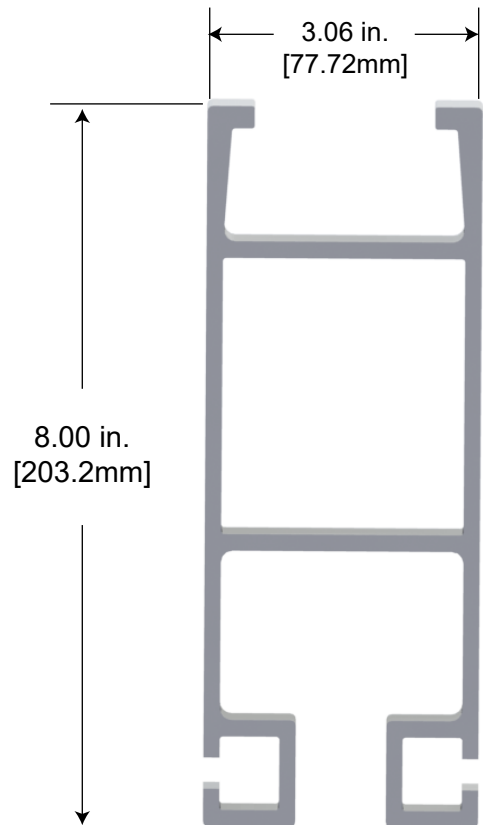
RAD4110

Knight's RAD8110 series rail is made to compete with European style rails while offering a more robust profile and accessories.

Most accessories for RAD4110 rail series can be used with the RAD8110 series.

See back page for details.

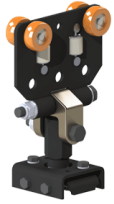
Hanger Span		Deflection Criteria			
		RAD8110 Series Capacities			
		L/350		L/450	
ft	m	lbs	kg	lbs	kg
5	1.52	4000	1814	4000	1814
6	1.83	3575	1622	3575	1622
7	2.13	3060	1388	3060	1388
8	2.45	2670	1211	2670	1211
9	2.74	2370	1075	2370	1075
10	3.05	2130	966	2130	966
11	3.35	1925	873	1925	873
12	3.66	1760	798	1655	751
13	3.96	1620	735	1400	635
14	4.27	1500	680	1200	544
15	4.57	1340	608	1030	467
16	4.88	1165	528	895	406
17	5.18	1020	463	780	354
18	5.48	900	408	685	311
19	5.79	800	363	605	274
20	6.1	710	322	535	243
21	6.4	630	286	470	213
22	6.7	560	254	420	191
23	7.01	500	227	370	168
24	7.31	450	204	330	150



RAD8110 ACCESSORIES

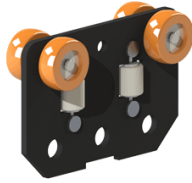
End Trucks

MRES4025



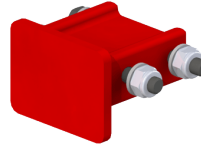
Trolleys

MRTA4001



End Caps

MRAA4011



Hangers

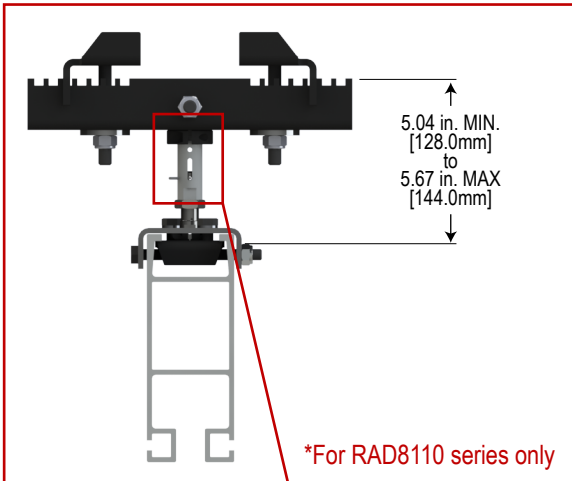
MRHS40361



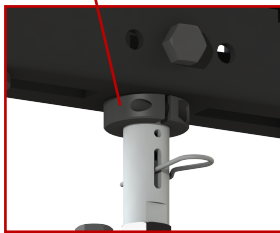
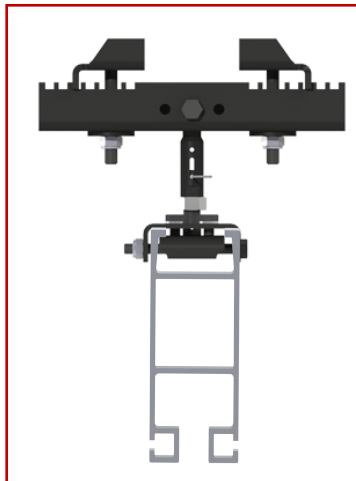
The RAD8110 Series uses primarily standard RAD4110 accessories, aside from the (3) parts listed below.*

*Other accessory options are available. See knightglobal.com.

**MRHS80361
Rigid Hanger**



**MRHS40361
Non-Rigid Hanger**



Collar shown here makes hanger rigid.

MRAA8966 Inspection Gate

