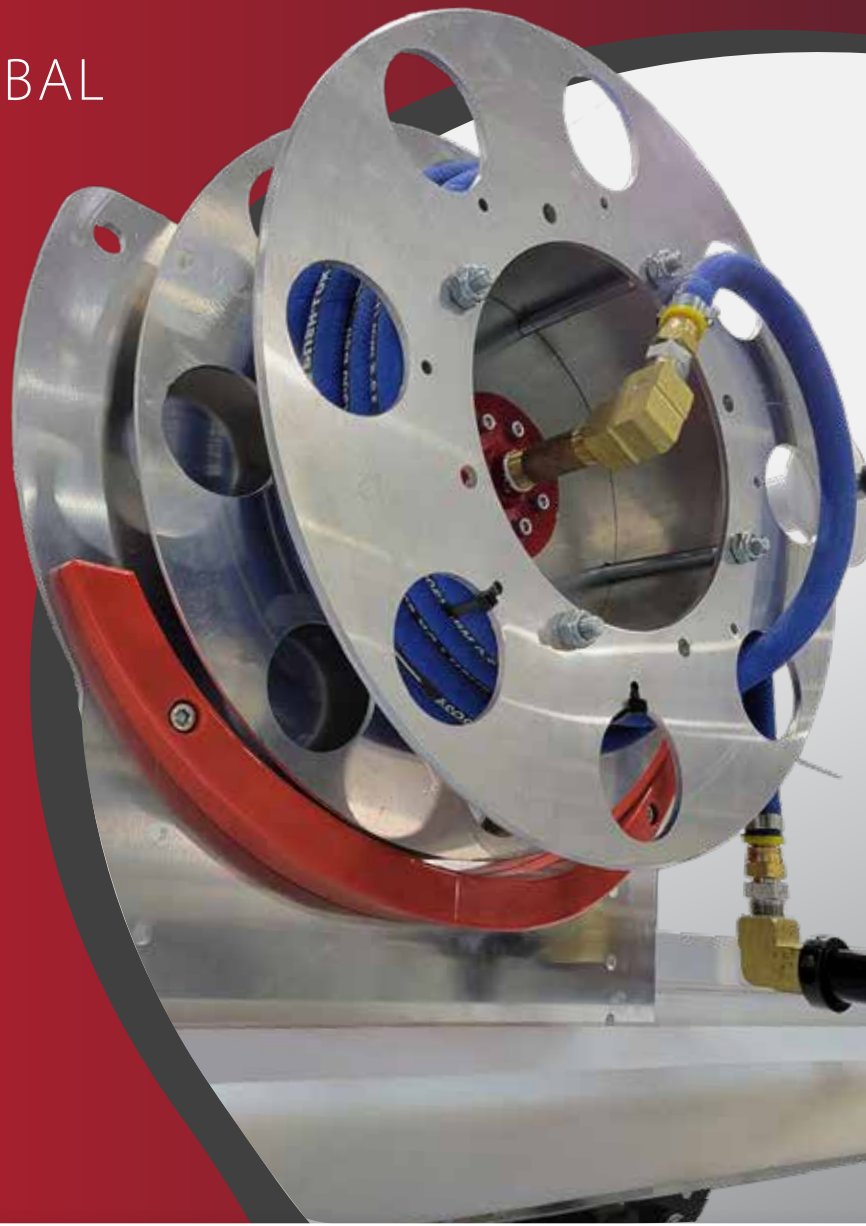


NEW! from KNIGHT GLOBAL

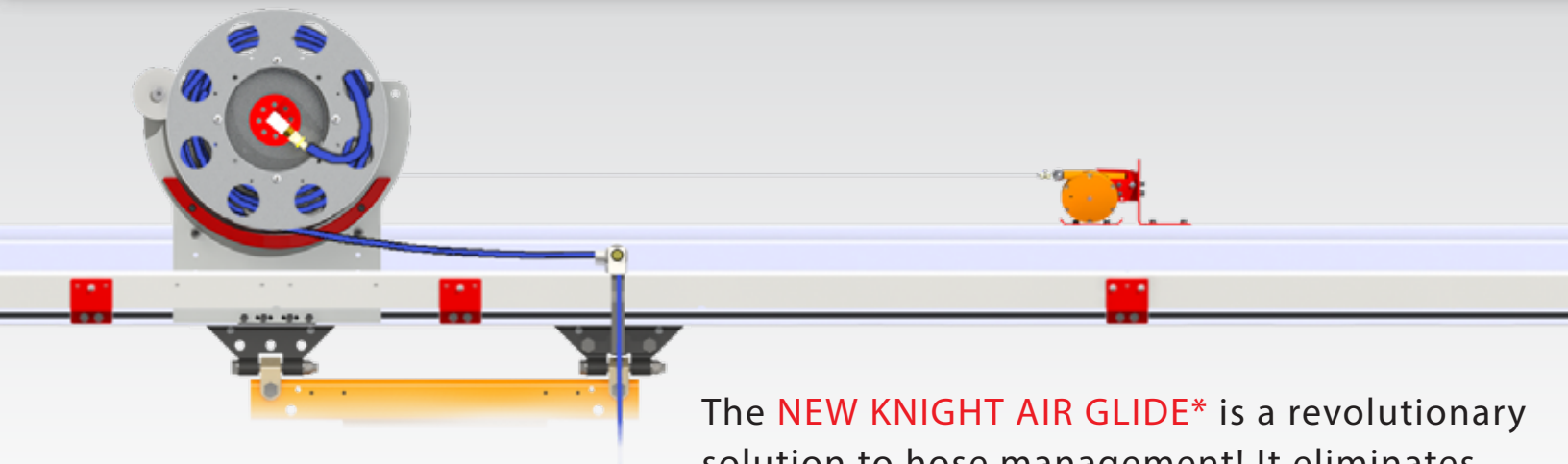
HOSE MANAGEMENT

done right...

with the
AIR GLIDE
PATENT PENDING



knightglobal.com



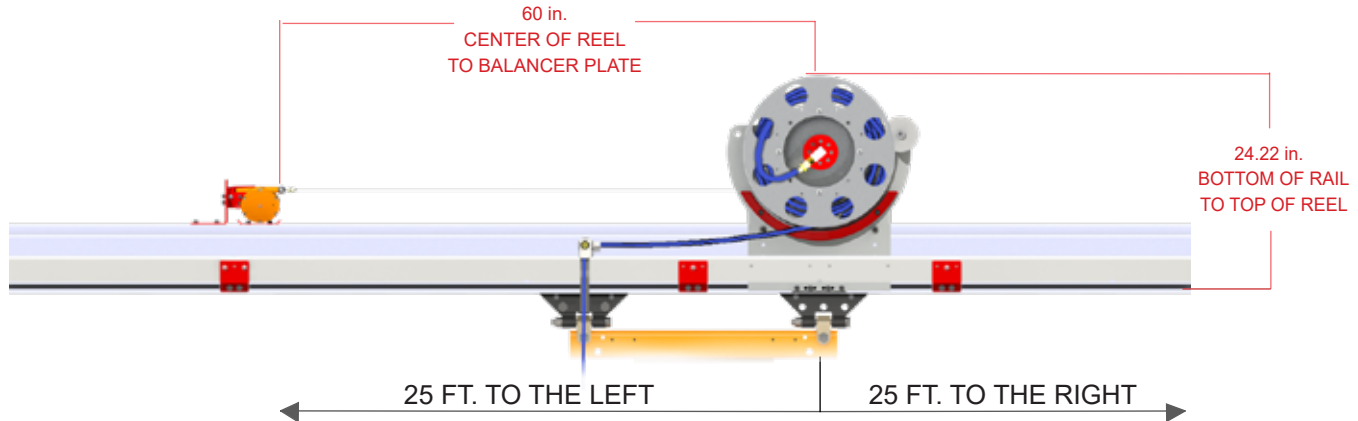
The **NEW KNIGHT AIR GLIDE*** is a revolutionary solution to hose management! It eliminates the hanging of festooning on a rail system by containing the air hose on a reel that mounts alongside Knight's aluminum rail.

*PATENT PENDING



AIR GLIDE PART NUMBER CONFIGURATIONS

CENTER MOUNTED AIR GLIDE MRMSSC / MRMSLC

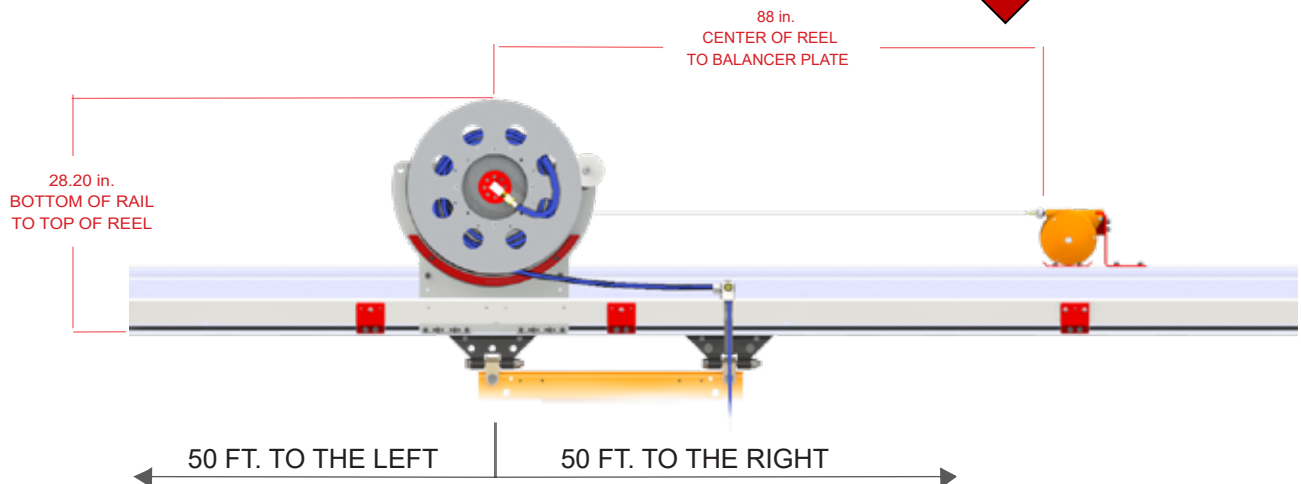


AIR GLIDE FOR CENTER OF RAIL SMALL REEL APPLICATIONS:

#	TRAVEL LG. (FT.)
MRMSSC	010
MRMSSC	020
MRMSSC	030
MRMSSC	040
MRMSSC	050

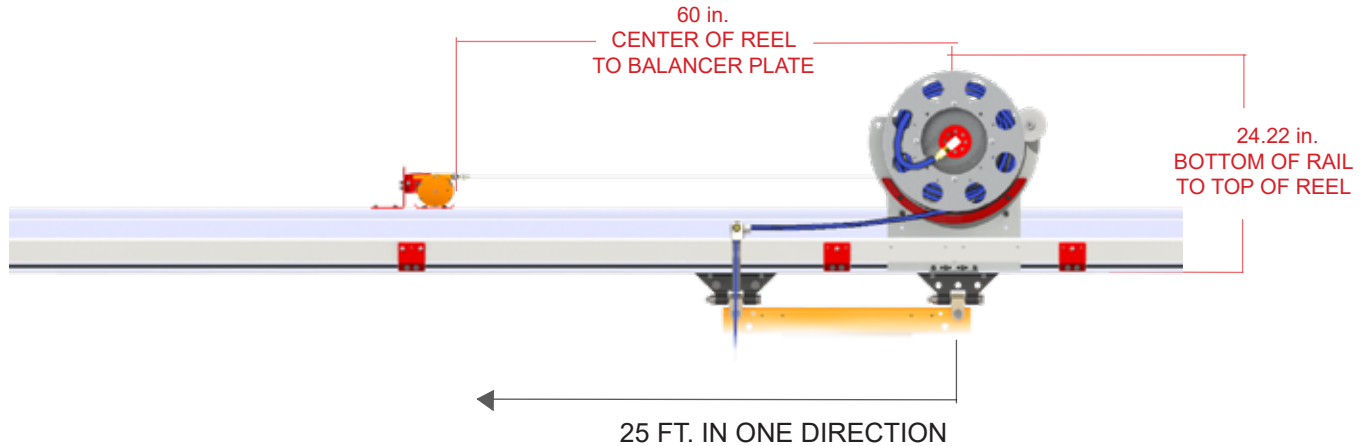
AIR GLIDE FOR CENTER OF RAIL LARGE REEL APPLICATIONS:

#	TRAVEL LG. (FT.)
MRMSLC	060
MRMSLC	070
MRMSLC	080
MRMSLC	090
MRMSLC	100



AIR GLIDE PART NUMBER CONFIGURATIONS

END MOUNTED AIR GLIDE MRMSSE / MRMSLE



AIR GLIDE FOR END OF RAIL SMALL REEL APPLICATIONS:

#	TRAVEL LG. (FT.)
MRMSSE	010
MRMSSE	020
MRMSSE	025

AIR GLIDE FOR END OF RAIL LARGE REEL APPLICATIONS:

#	TRAVEL LG. (FT.)
MRMSLE	030
MRMSLE	040
MRMSLE	050

