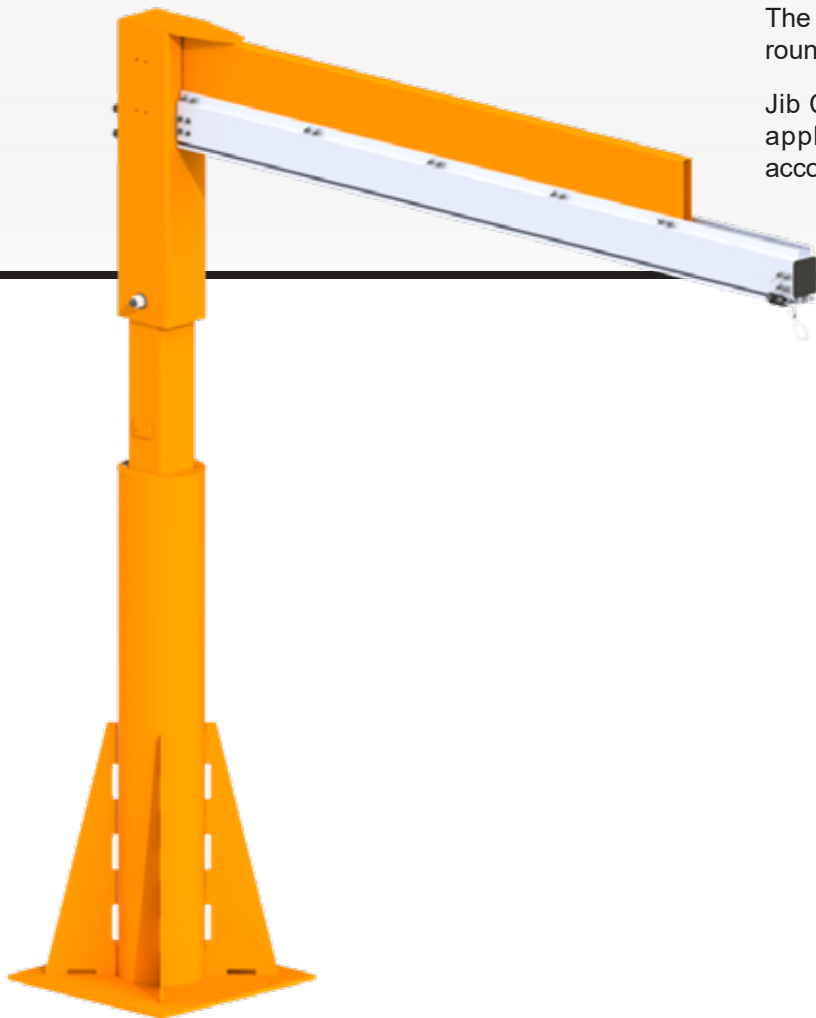


MJBA2700 Heavy Duty Low Profile Jib Crane

Knight Global's MJBA2700 Jib Crane offers a large tool coverage area with a single rotating rail on a floor mounted pedestal. Knight cranes are ideal for short transfer applications and are designed to move effortlessly while still carrying large loads.

The MJBA2700 Jib Crane has Timken® roller bearings and the round post allows for 360° rotation.

Jib Cranes allow for maximum hoist height on low head room applications or when the overhead working space can not accommodate a rail system.



MAX. BOOM LENGTH: Up to **15 ft. (4.5m)**

MAX. CAPACITY: **2030 lbs. [920kg]**

Features & Benefits

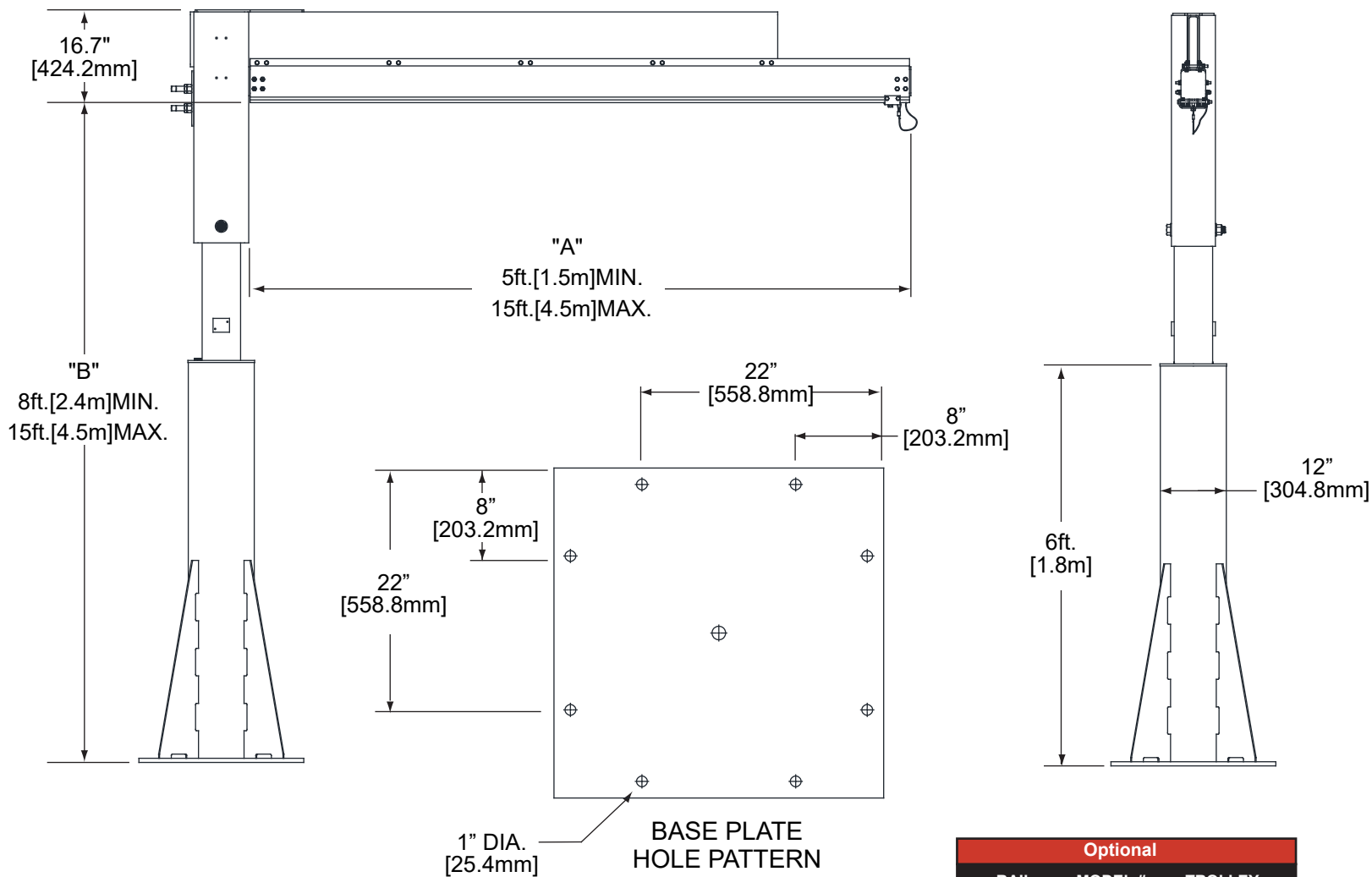
- Level Adjustment End Bracket is used to adjust the pitch of the rail.
- Round post allows for 360° rotation.
- Adjustable Hard Stop
- Ergonomically designed for low headroom clearance applications.
- MRES7522 Telescoping Rail is optional.
- Maximum Under Rail Clearance Height: Up to **15 ft. [4.5m]**.



For more information, please contact a Knight Global representative.



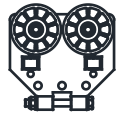
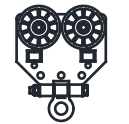
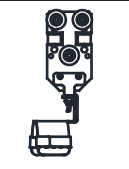
MJBA2700 Heavy Duty Low Profile Jib Crane



EXAMPLE:

ORDER # : MJBA2700A_10_10

	Post Height "B"	Rail Length "A"
MJBA2700A	XX	XX
	Specify Height [Max 15 ft.] (Feet)	Specify [Max 15 ft.] (Feet)

Optional		
RAIL	MODEL #	TROLLEY
Knight RAD7510 Trolley	MRTA7002	
Knight RAD7510 Trolley	MRTA7719	
Knight RAD7510 Hose Trolley	MRMA4815	

For more information, please contact a Knight Global representative.

