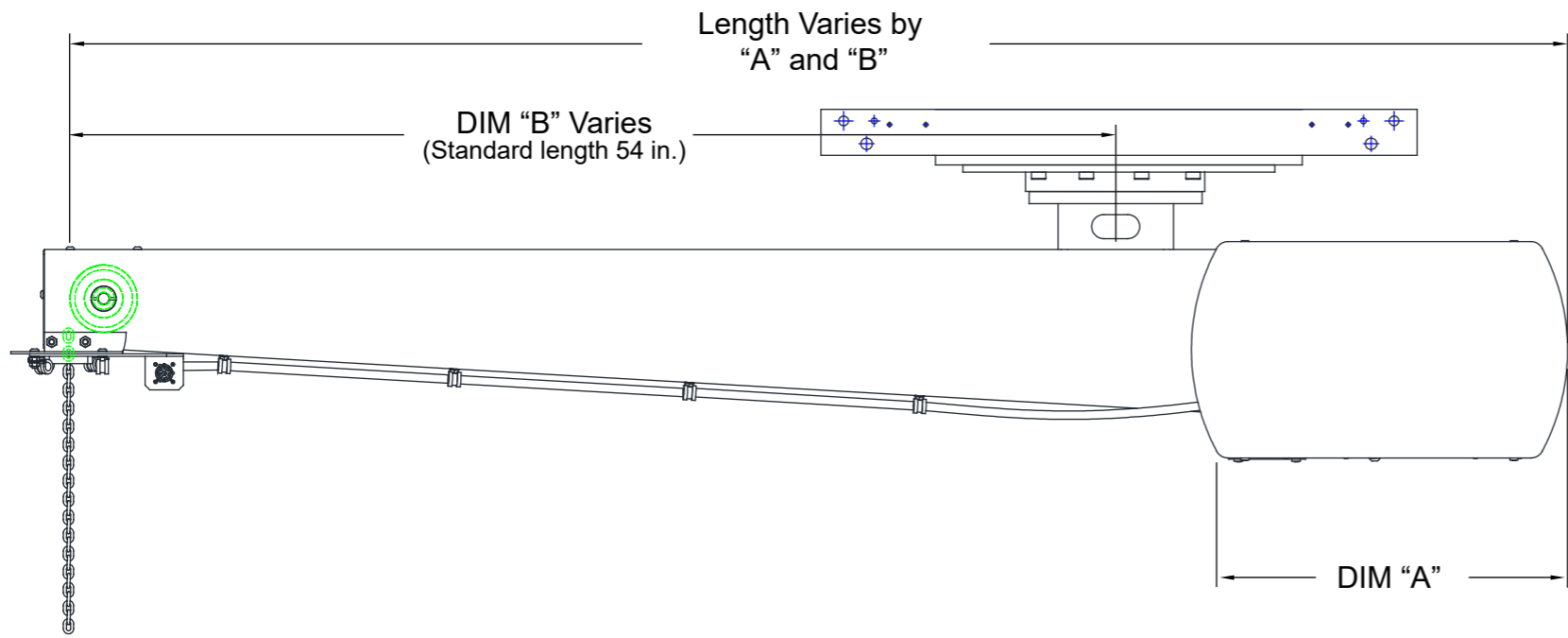
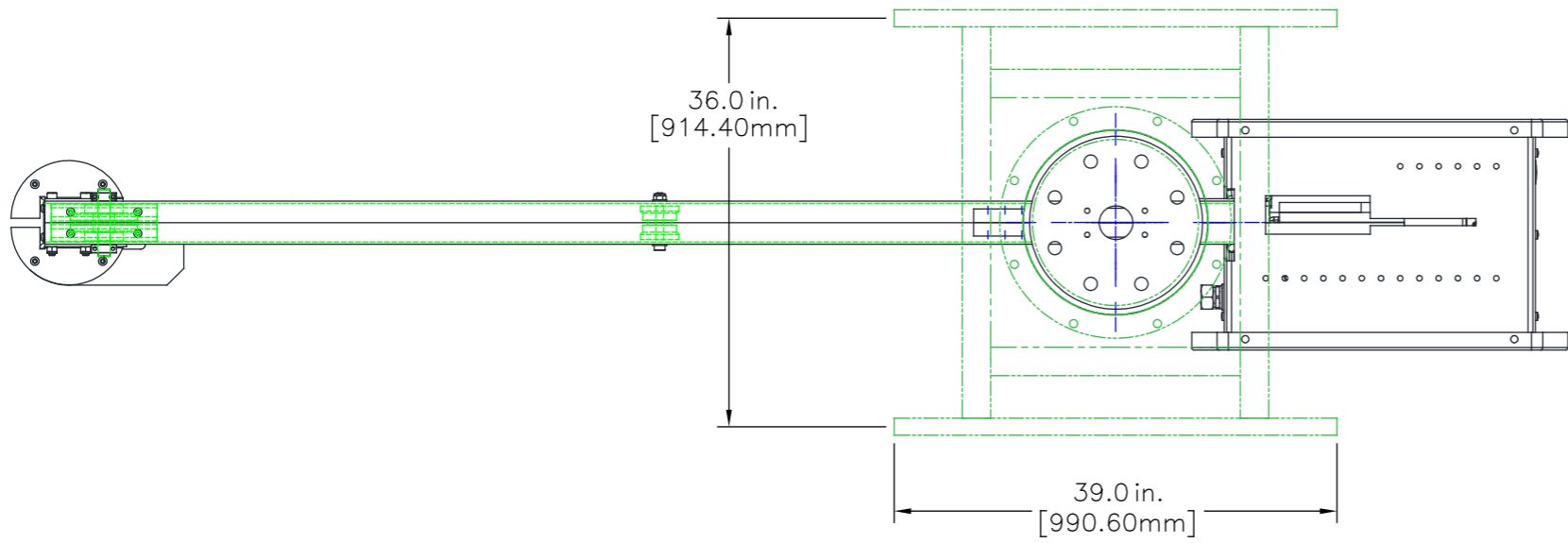


KSHEA Series Overhead Carriage Mounted Articulating Extension Servo Hoist Arm



- Dimension "A" (Knight Servo Hoist)**
- KSH250S - 19.73 in. [501mm]
 - KSH350S - 21.38 in. [543mm]
 - KSH750S - 21.38 in. [543mm]

- Dimension "B" (Extension Boom)**
- Standard length is 54 in. [1371mm].
 - Smaller lengths are available and considered custom.