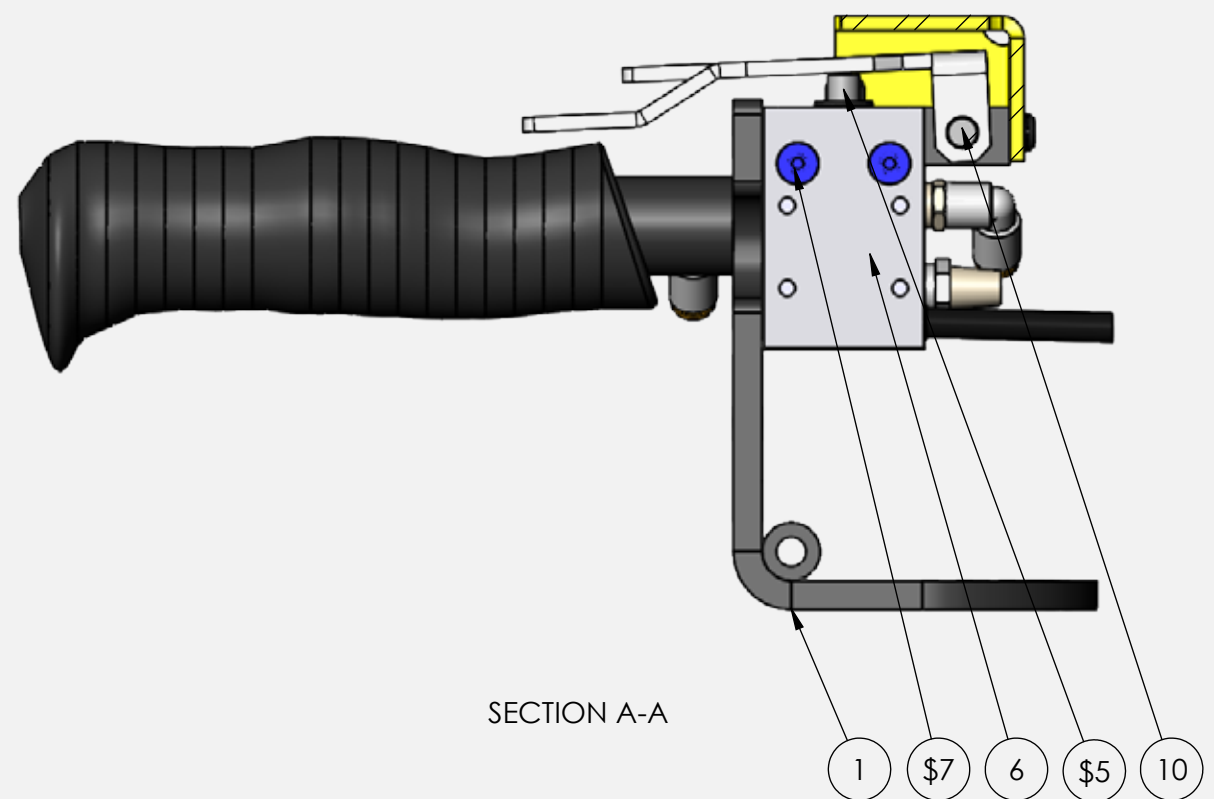
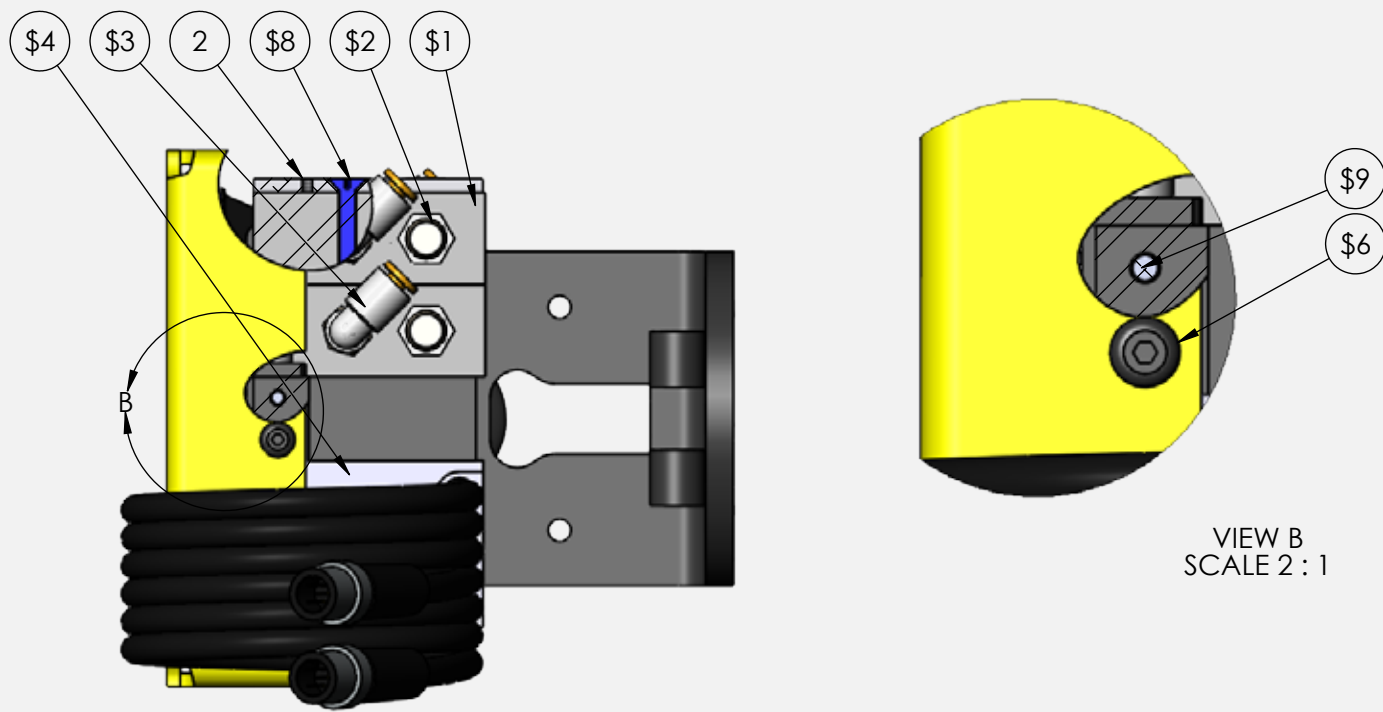
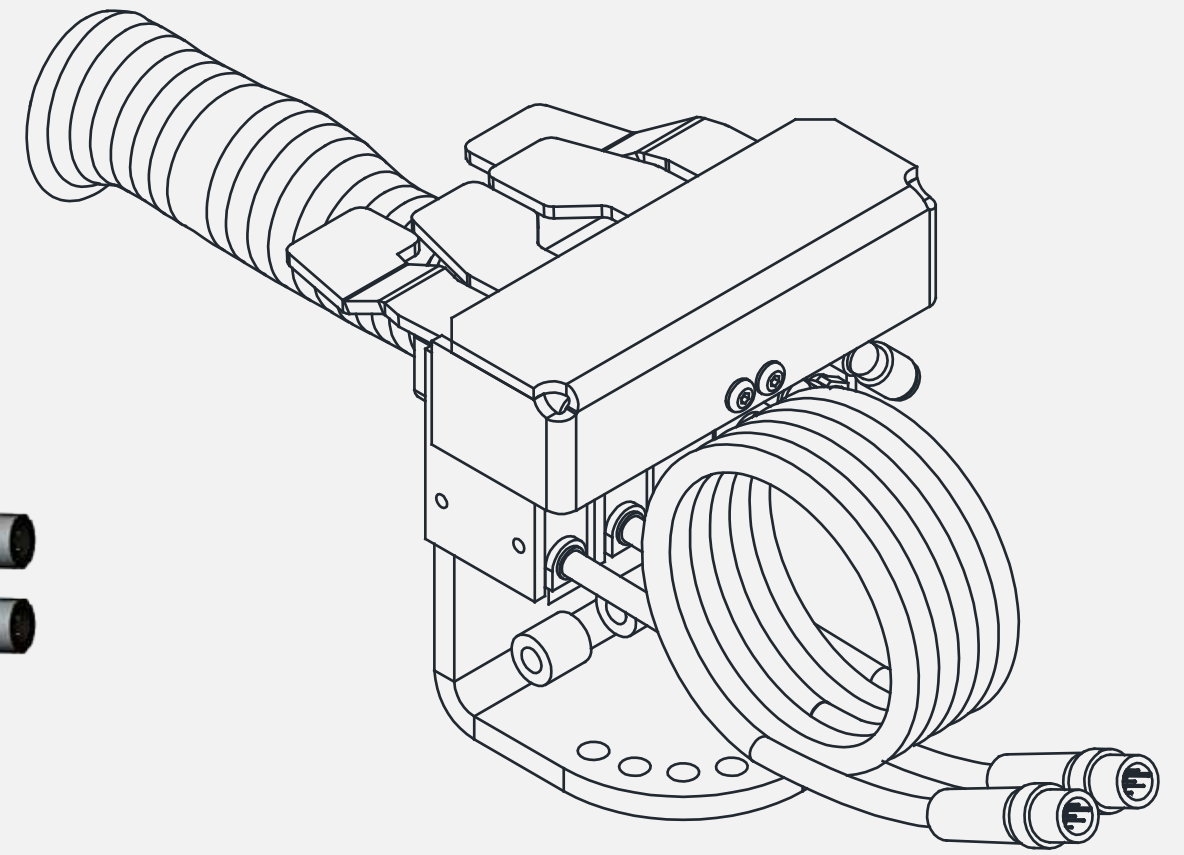
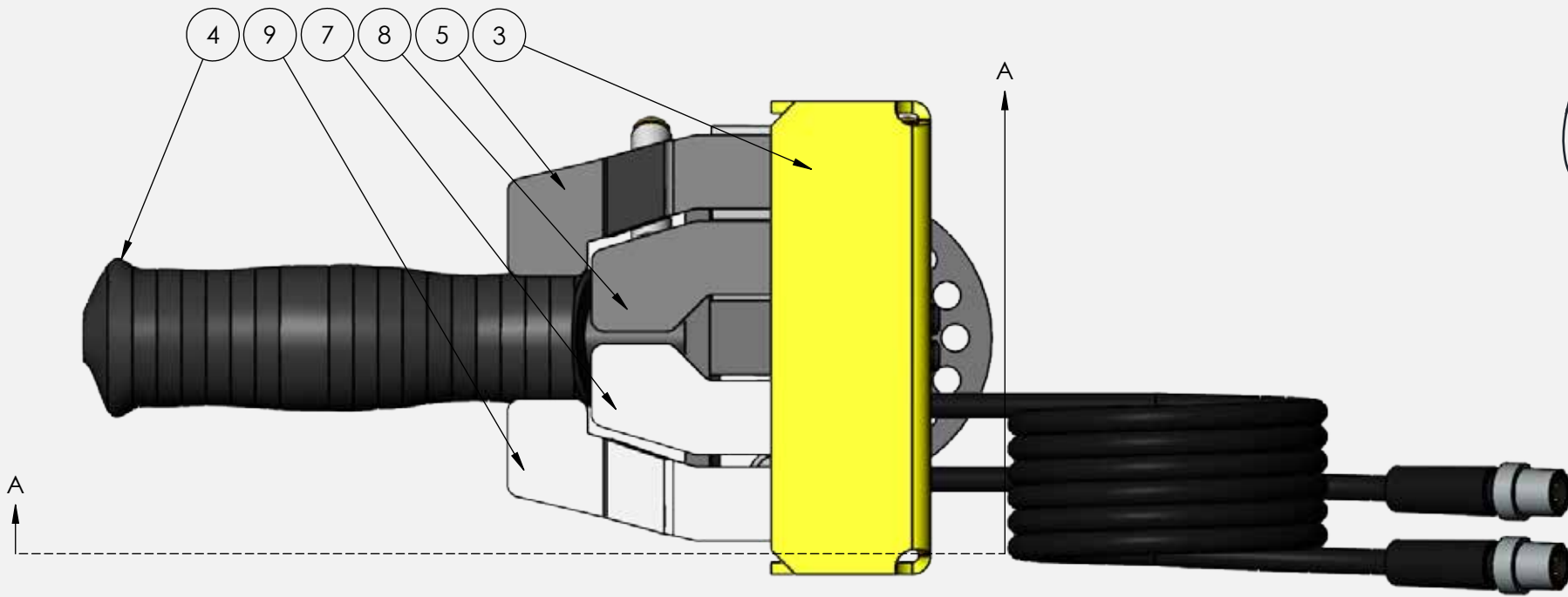


GMEPPA9160 (#ARZ86328S) Electric Pneumatic Handle



Ref #	Qty #	Knight Part #	ARZ Part #	Description
\$9	2	9613K14	ARZ86266	5/32" NYLON BALLS
\$8	2	#8-32 X 2" LG	N/A	FHCS
\$7	2	#8-32 X 1 3/4" LG	N/A	FHCS
\$6	2	#8-32 X 3/8 LG	N/A	BHCS
\$5	2	ZCE10	ARZ86278	TELEMECANIQUE SWITCH HEAD
\$4	2	ZCMD21L1R12SCU	ARZ86279	TELEMECANIQUE 4 PIN SWITCH
\$3	4	KQ2L04-01S	ARZ86265	MALE ELBOW 4mm OD1/8 NPT
\$2	2	P18	ARZ86264	NEUMATICS MUFFLER 1/8 NPT
\$1	2	VM430-F01-00	ARZ86263	SMC VALVE
10	1	GMBPD1113-4.5	ARZ86268	LEVER PIN
9	1	GMBPD1106	ARZ86270	RIGHT HAND OUTER LEVER
8	1	GMBPD1107	ARZ86269	LEFT HAND OUTER LEVER
7	1	GMBPD1104	ARZ86261	RIGHT HAND INNER LEVER
6	2	GMBPD1103	ARZ86280	ELECTRIC BLOCK SPACER
5	1	GMBPD1105	ARZ86267	LEFT HAND INNER LEVER
4	1	BPD1125	ARZ86260	7/8" DIA MOLDED ERGO GRIP
3	1	GMBPD1112	ARZ86271	4 BUTTON GUARD
2	1	GMBPD1102	ARZ86257	PNEUMATIC SPACER
1	1	GMBPD1100	ARZ86256	HANDLE BRACKET