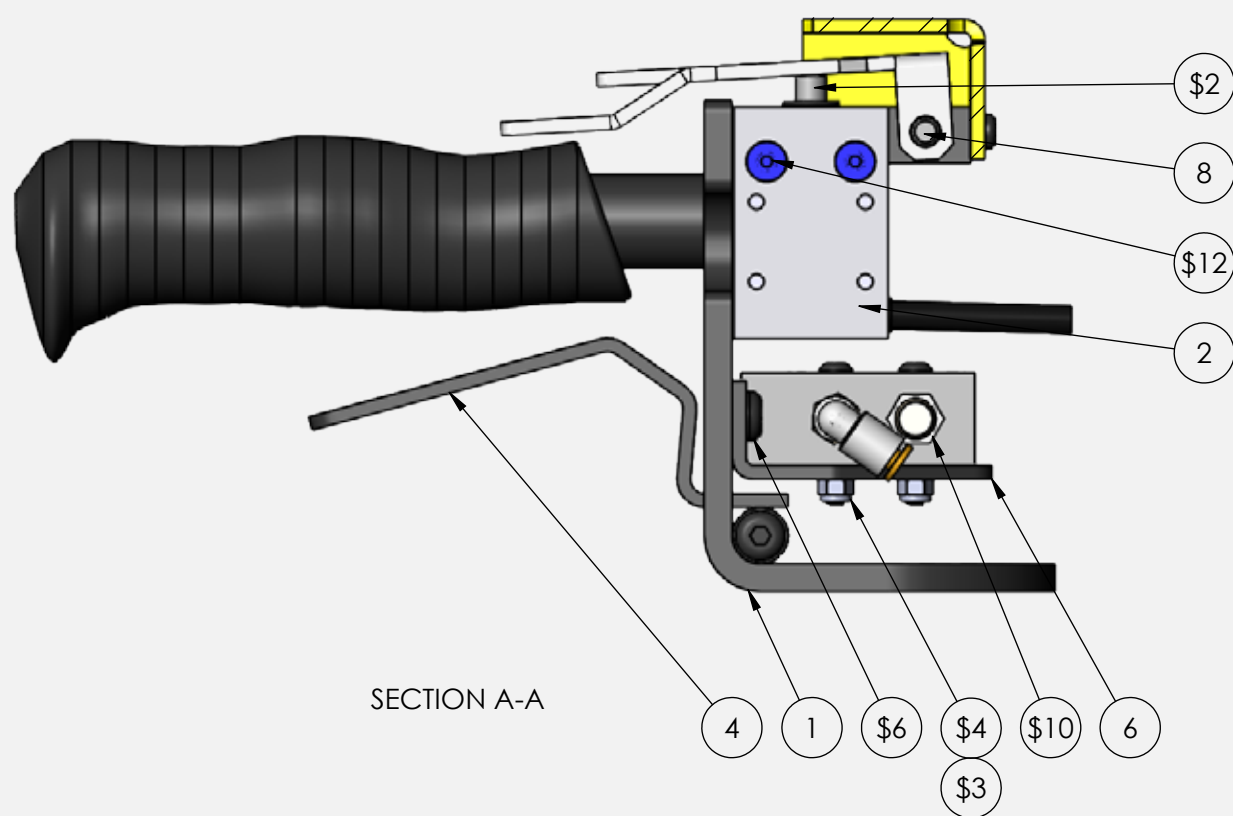
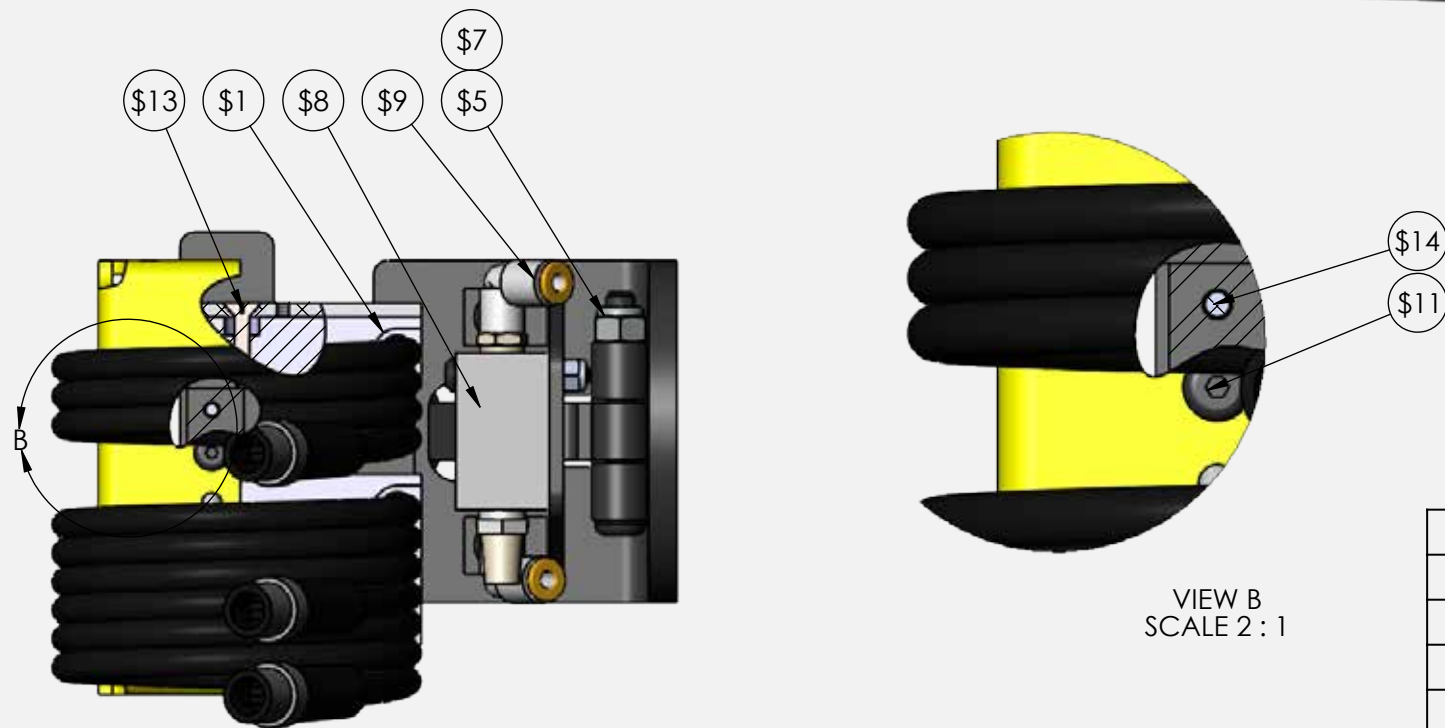
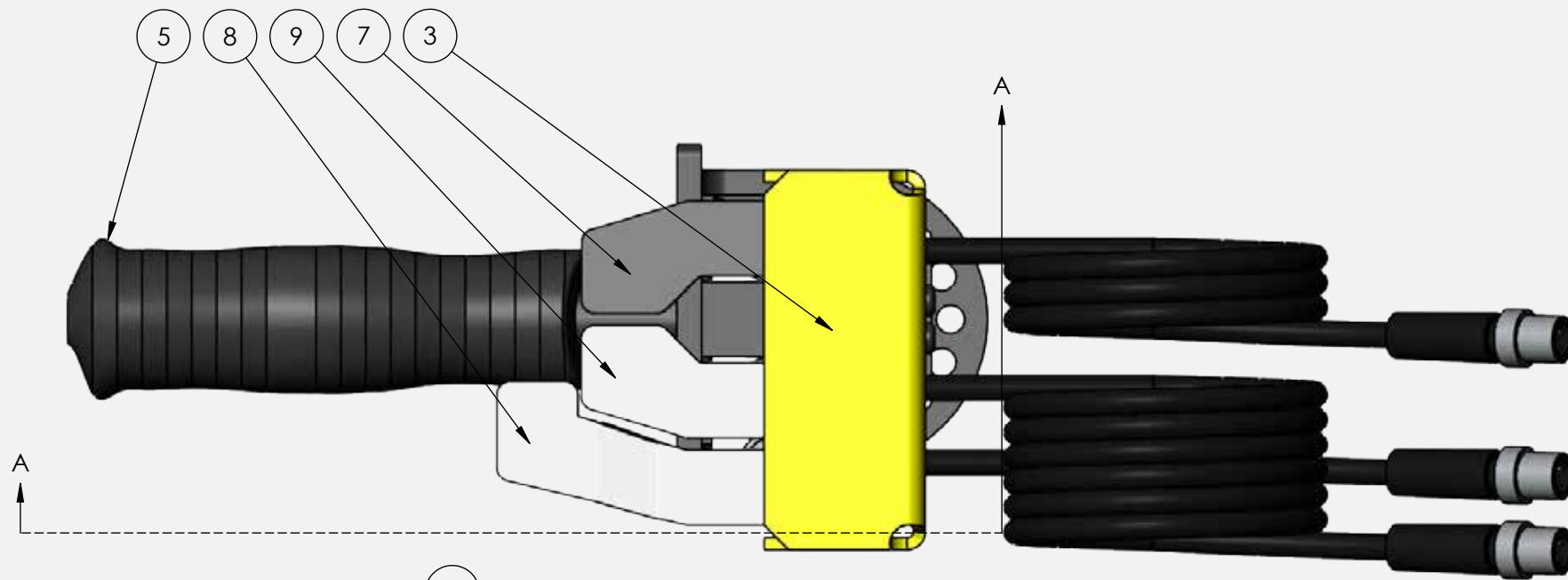


GMEPPTA9650 (#ARZ86325R) Electric Control Handle with Pneumatic Trigger



Ref #	Qty #	Knight Part #	ARZ Part #	Description
\$14	2	9613K14	ARZ86266	5/32" NYLON BALLS
\$13	2	#8-32 X 1" LG	N/A	FHCS
\$12	2	#8-32 X 1 3/4" LG	N/A	FHCS
\$11	2	#8-32 X 3/8 LG	N/A	BHCS
\$10	1	P18	ARZ86264	NEUMATICS MUFFLER 1/8 NPT
\$9	2	KQ2L04-01S	ARZ86265	MALE ELBOW 4mm OD1/8 NPT
\$8	1	VM430-F01-00	ARZ86263	SMC VALVE
\$7	1	1/4-20 X 2" LG	N/A	BHCS
\$6	2	1/4-20 X 3/8 LG	N/A	BHCS
\$5	1	1/4-20	N/A	NYLOK NUT
\$4	2	M4	N/A	NYLOK NUT
\$3	2	M4X0.7 x 30	N/A	BHCS
\$2	3	ZCE10	ARZ86278	TELEMECANIQUE SWITCH HEAD
\$1	3	ZCMD21L1R12SCU	ARZ86279	TELEMECANIQUE 4 PIN SWITCH
10	1	GMBPD1113-3.5	ARZ86274	LEVER PIN
9	1	GMBPD1104	ARZ86261	RIGHT HAND INNER LEVER
8	1	GMBPD1106	ARZ86270	RIGHT HAND OUTER LEVER
7	1	GMBPD1105	ARZ86267	LEFT HAND INNER LEVER
6	1	GMBPD1109	ARZ86276	TRIGGER VALVE MNT. BRACKET
5	1	BPD1125	ARZ86260	7/8" DIA MOLDED ERGO GRIP
4	1	GMBPD1108	ARZ86277	TRIGGER LEVER
3	1	GMBPD1111	ARZ86275	3 BUTTON GUARD
2	3	GMBPD1103	ARZ86280	ELECTRIC BLOCK SPACER
1	1	GMBPD1100	ARZ86256	HANDLE BRACKET