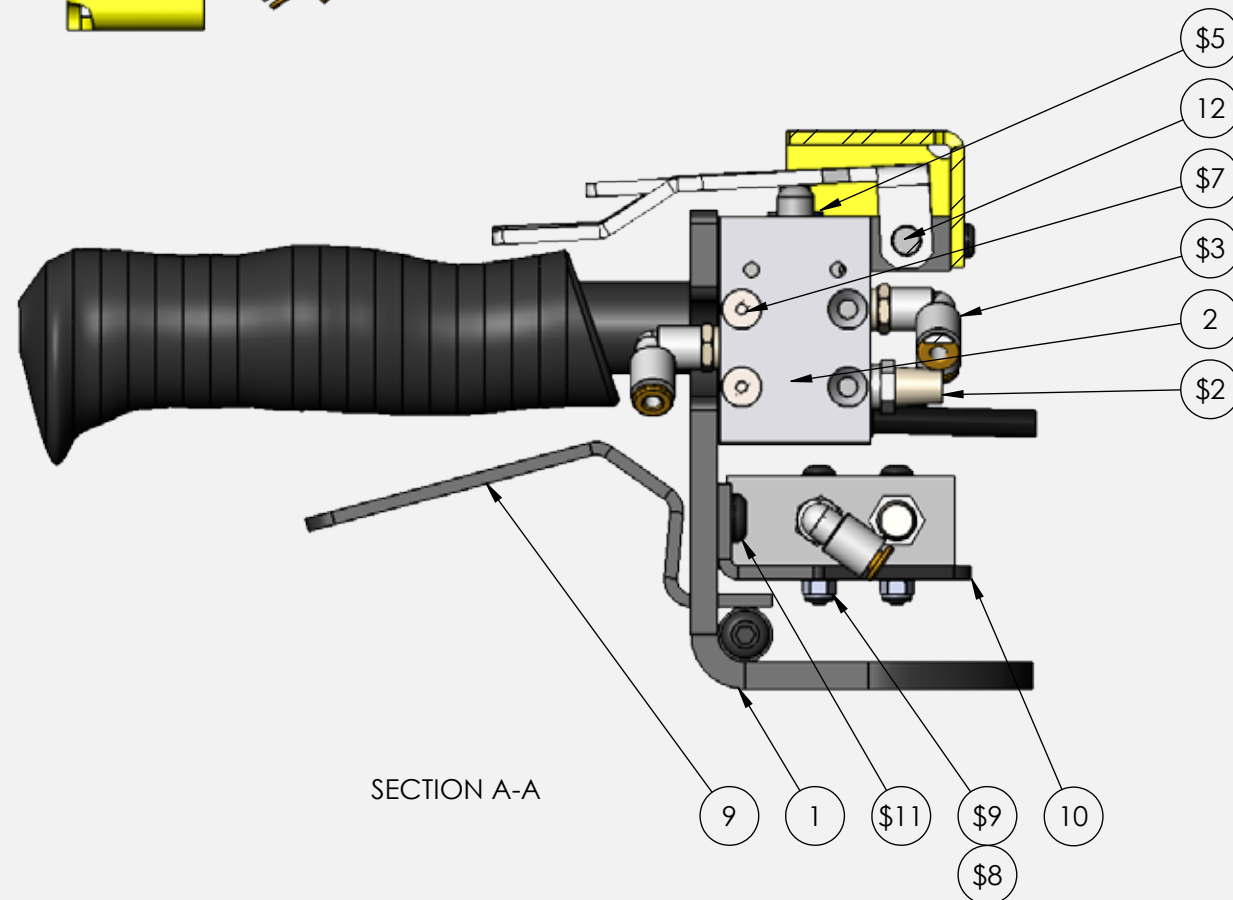
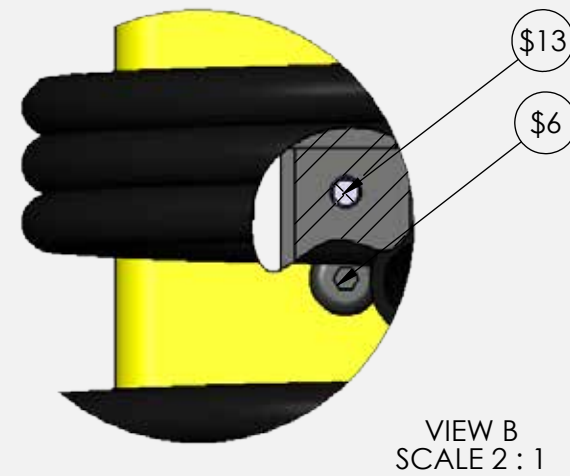
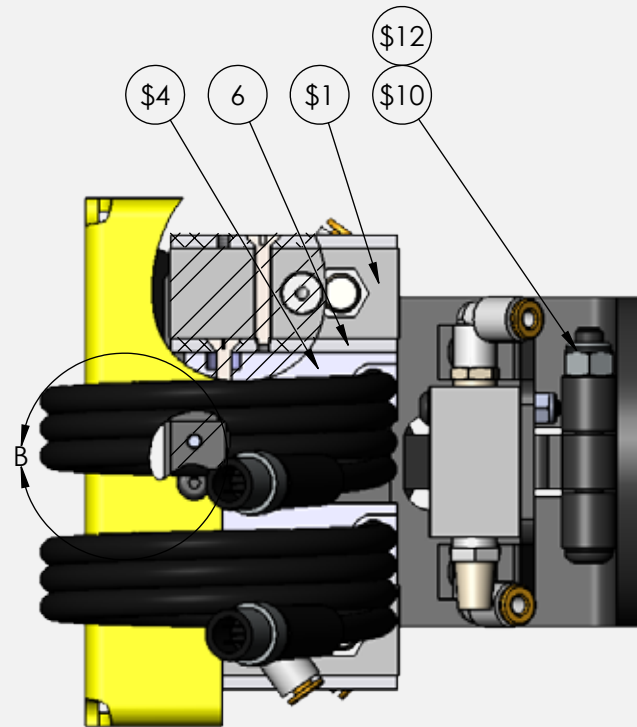
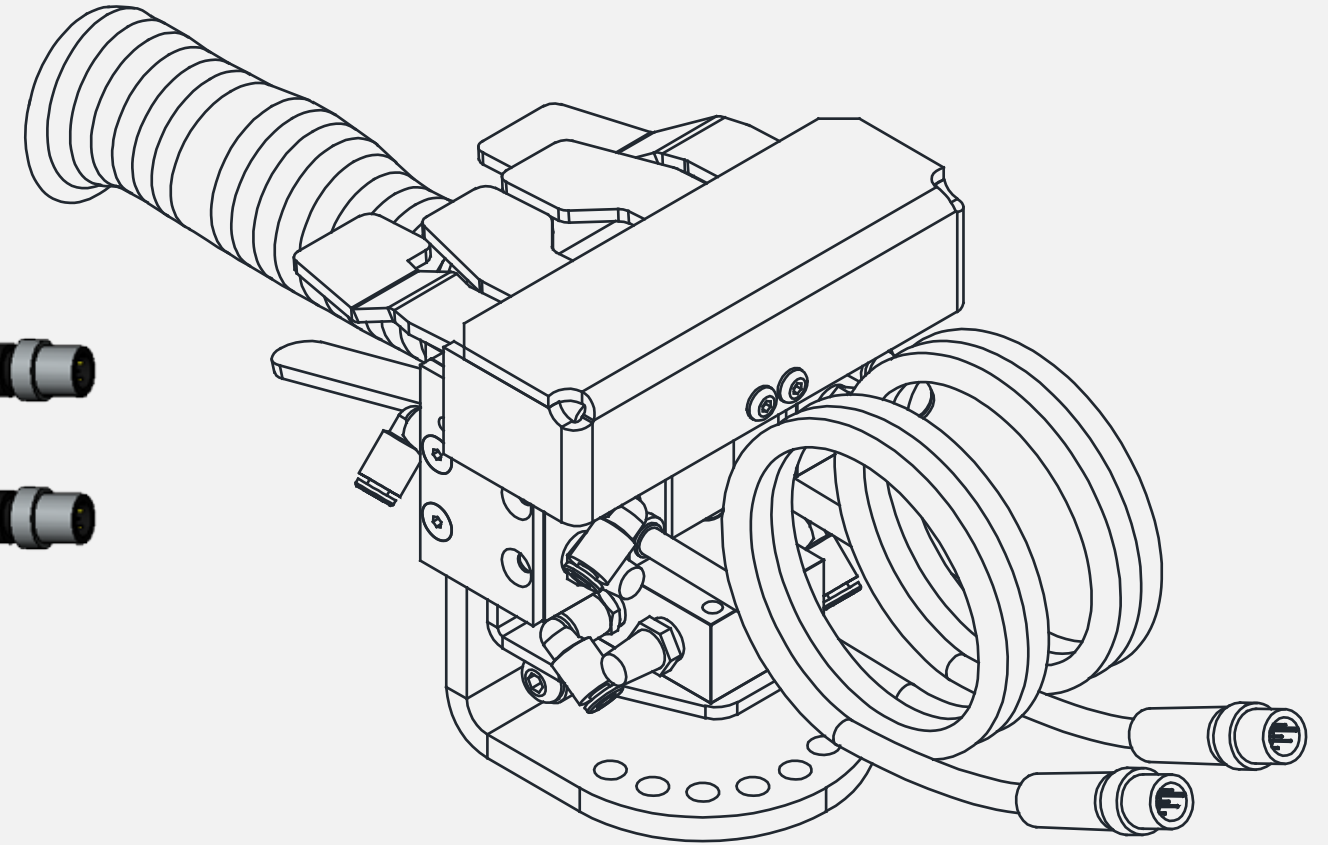
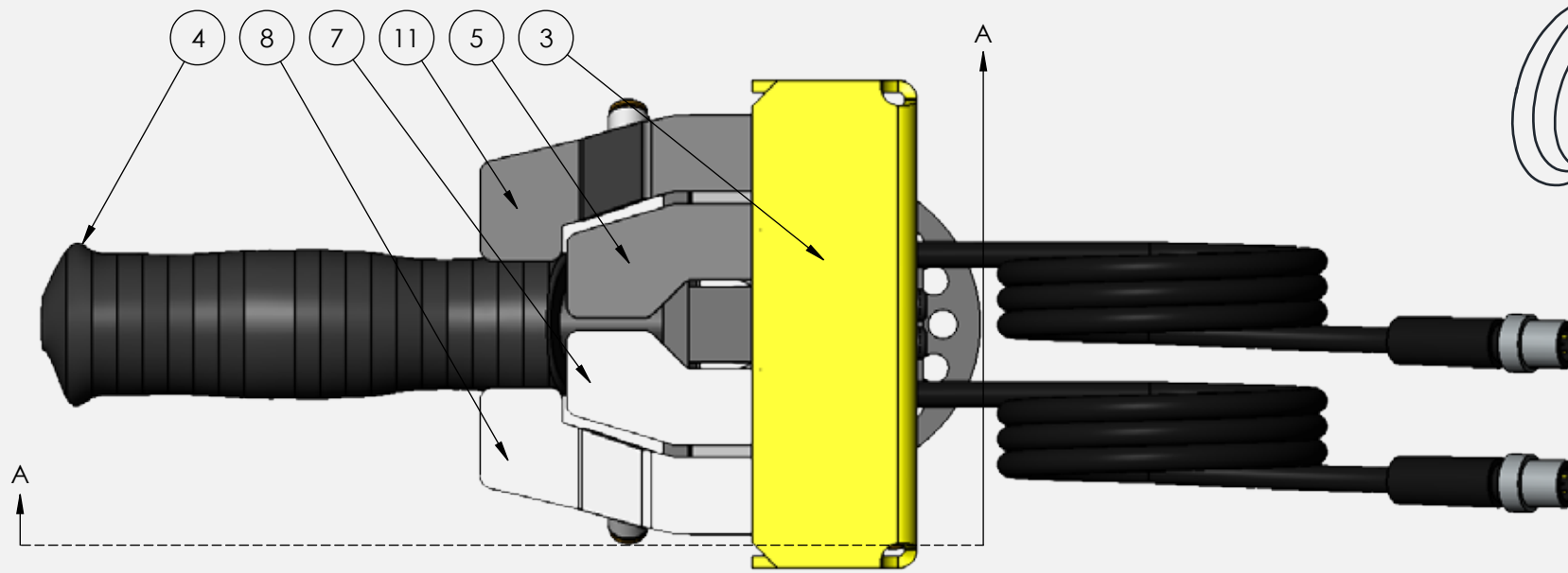


GMEPPTA9464 (#ARZ86300S) Pneumatic-Electric Handle with Pneumatic Trigger



Ref #	Qty #	Knight Part #	ARZ Part #	Description
\$13	2	9613K14	ARZ86266	5/32" NYLON BALLS
\$12	1	1/4-20 X 2" LG	N/A	BHCS
\$11	2	1/4-20 X 3/8 LG	N/A	BHCS
\$10	1	1/4-20	N/A	NYLOK NUT
\$9	2	M4	N/A	NYLOK NUT
\$8	2	M4X0.7 x 30	N/A	BHCS
\$7	8	#8-32 X 1" LG	N/A	FHCS
\$6	2	#8-32 X 3/8 LG	N/A	BHCS
\$5	2	ZCE10	ARZ86278	TELEMECANIQUE SWITCH HEAD
\$4	2	ZCMD21L1R12SCU	ARZ86279	TELEMECANIQUE 4 PIN SWITCH
\$3	6	KQ2L04-01S	ARZ86265	MALE ELBOW 4mm OD1/8 NPT
\$2	3	P18	ARZ86264	NEUMATICS MUFFLER 1/8 NPT
\$1	3	VM430-F01-00	ARZ86263	SMC VALVE
12	1	GMBPD1113-4.5	ARZ86268	LEVER PIN
11	1	GMBPD1107	ARZ86269	LEFT HAND OUTER LEVER
10	1	GMBPD1109	ARZ86276	TRIGGER VALVE MNT. BRACKET
9	1	GMBPD1108	ARZ86277	TRIGGER LEVER
8	1	GMBPD1106	ARZ86270	RIGHT HAND OUTER LEVER
7	1	GMBPD1104	ARZ86261	RIGHT HAND INNER LEVER
6	2	GMBPD1103	ARZ86280	ELECTRIC BLOCK SPACER
5	1	GMBPD1105	ARZ86267	LEFT HAND INNER LEVER
4	1	BPD1125	ARZ86260	7/8" DIA MOLDED ERGO GRIP
3	1	GMBPD1112	ARZ86271	4 BUTTON GUARD
2	2	GMBPD1102	ARZ86257	PNEUMATIC SPACER
1	1	GMBPD1100	ARZ86256	HANDLE BRACKET