

AAA6000 Articulating Arm (Medium Duty)

Arm Capacity reduced by weight of arm extension (see example below) Arm Capacity based at this point



Knight Global's AAA6000 Articulating Arm is designed to lift, rotate, balance and manipulate product from conveyors, dunnage and assembly lines. Articulating Arms are available in various sizes and lifting configurations that utilize either a Knight Balancer, single or twin cylinder to achieve a greater lifting capacity while reducing the overall mass of the tool. The Overhead mount travels on the X and Y axis.

Knight Articulating Arms are available in a pedestal or overhead mounted design.

Features & Benefits

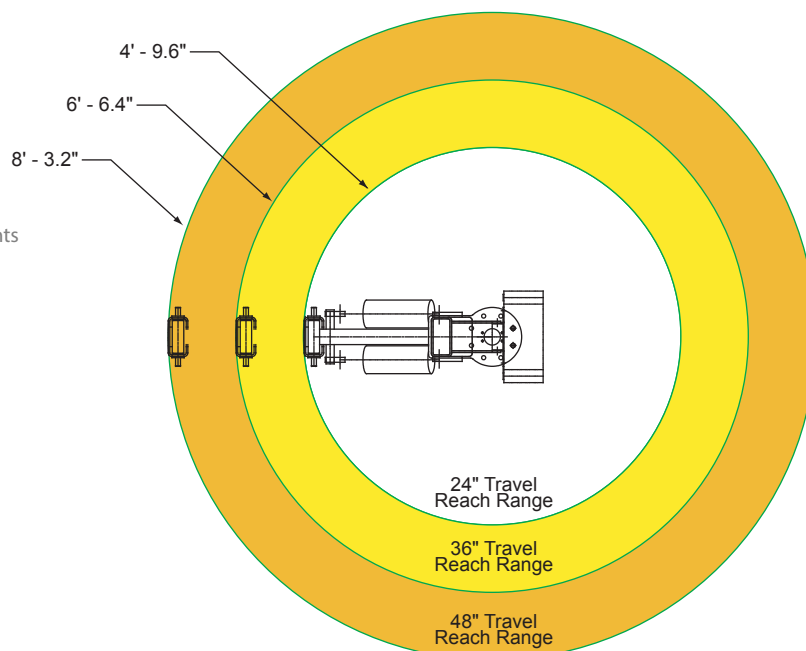
- Max. Lifting/Balance Capacity:
Up to 430 lbs. [195kg] at 100 psi.
- Variety of Control Configurations.
- Elimination of torque reaction exposure.
- Reduces operator fatigue.
- Either swivel or fixed tool.

Table 1

Arm Lifting Capacity			
Reach	60 P.S.I.	80 P.S.I.	100 P.S.I.
24" 609mm	240 lbs. 108kg	325 lbs. 147kg	430 lbs. 195kg
36" 914mm	190 lbs. 86kg	265 lbs. 120kg	335 lbs. 152kg
48" 1219mm	100 lbs. 45kg	185 lbs. 84kg	250 lbs. 113kg
Arm lift capacity will be reduced when an arm extension is used from Table 2 (pg2)			
EXAMPLE:			
36" Arm @ 80 PSI	=	265 LBS.	} subtract
Ext. Arm ("E") with 24" reach	=	61 LBS.	
Max. Arm lift capacity	=	204 LBS.*	

*Fixture & part cannot exceed this weight.

Note: All weights tested with no more than 2° deflection. Arms will NOT lift 5 lbs above listed weight.

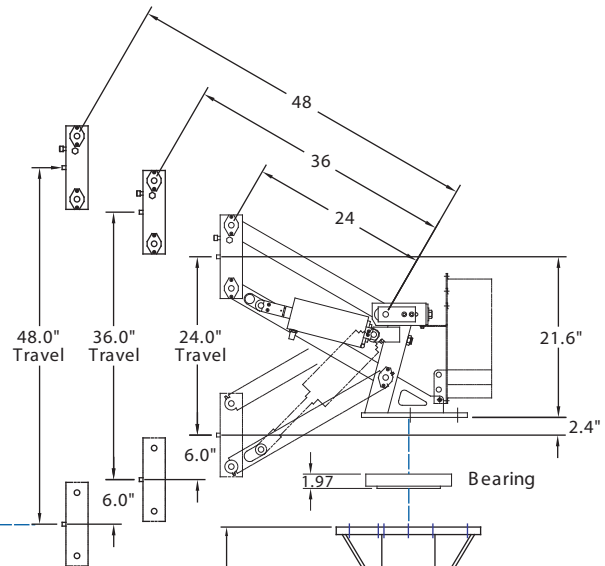
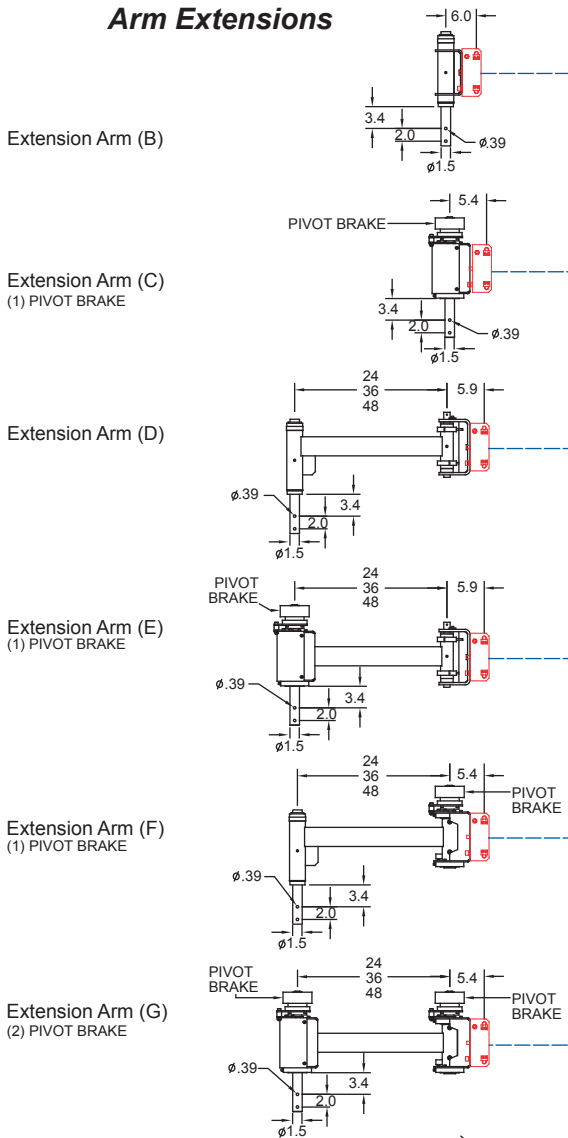


For more information, please contact a Knight Global representative.



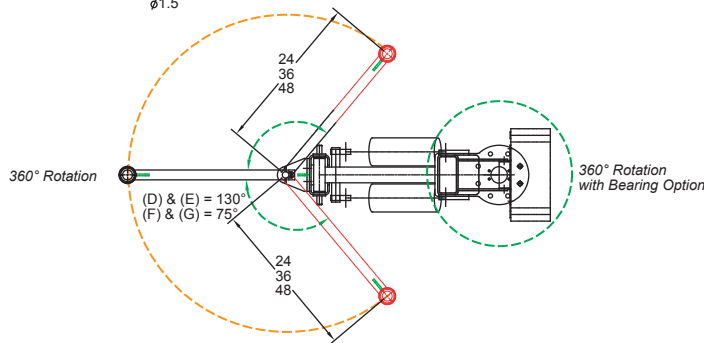
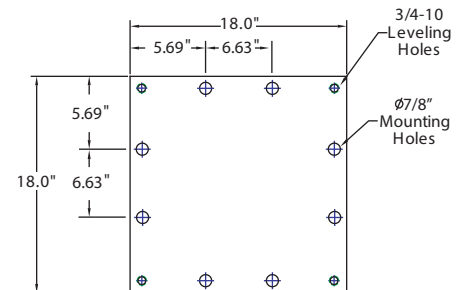
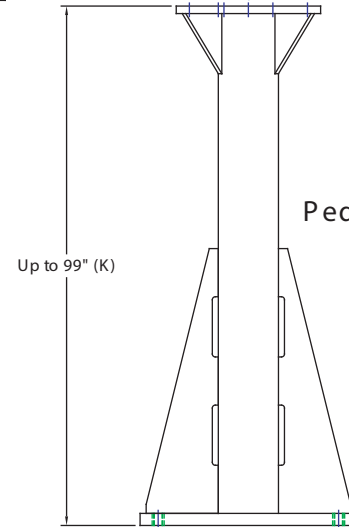
AAA6000 Articulating Arm (Medium Duty)

Arm Extensions



Arm Extensions

Pedestal Options



ORDER # EX: P6_24_G48_H_K99

Table 2

Arm Capacity reduced by weight of arm extension

Weight of Arm Extensions						
Ext. Arm (B)	Ext. Arm (C)	Reach	Ext. Arm (D)	Ext. Arm (E)	Ext. Arm (F)	Ext. Arm (G)
24.3 lbs. 11kg	35.8 lbs. 16kg	24" 609mm	42 lbs. 19kg	61 lbs. 27kg	59 lbs. 26kg	77 lbs. 35kg
		36" 914mm	47 lbs. 21kg	66 lbs. 30kg	63 lbs. 28kg	82 lbs. 37kg
		48" 1219mm	52 lbs. 23kg	72 lbs. 32kg	68 lbs. 30kg	87 lbs. 44kg

**Refer to Table 1 (pg1) for example

Optional [Omit if not required]

Arm Desc.	Arm Length	Arm Extension	Bearing	Pedestal Height
P6	XX	XXX	X	XXX
	24 36 48	B C D24, D36, or D48 E24, E36, or E48 F24, F36, or F48 G24, G36, or G48	H = yes J = no	Specify Height (Inches) KXX
ARM		ARM ACCESSORIES		