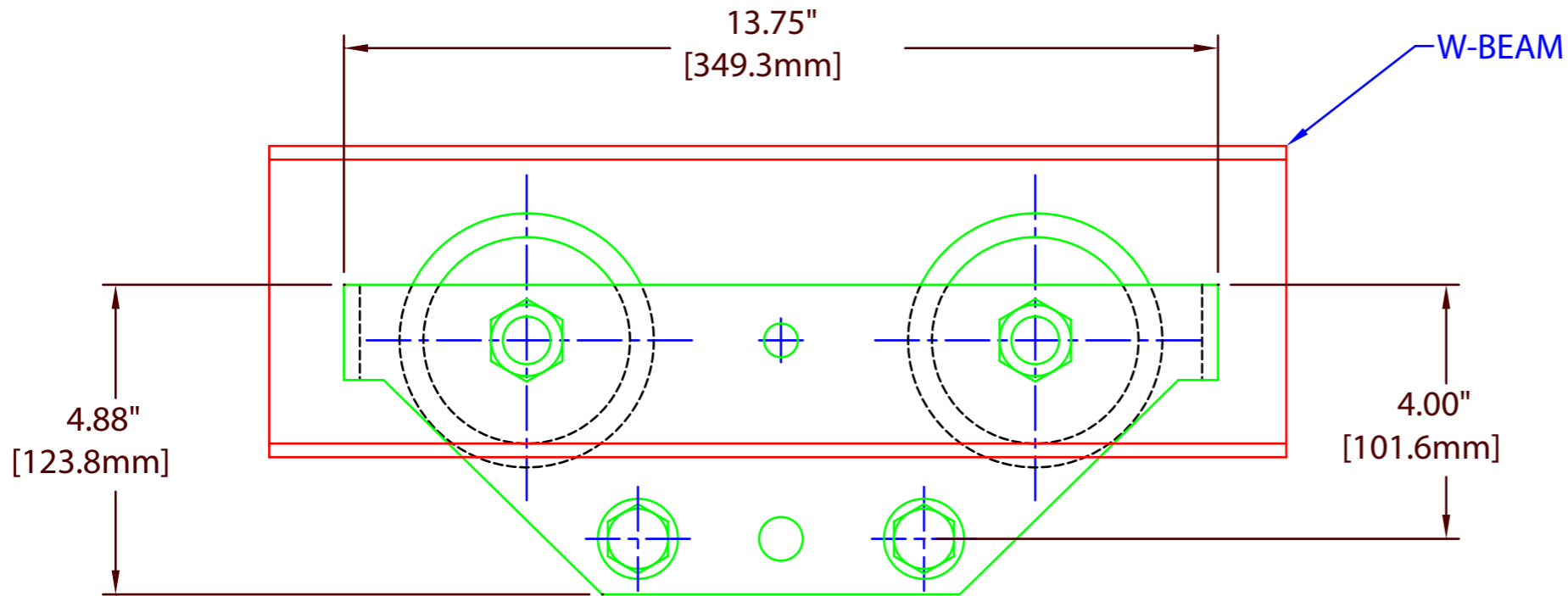


# RTA2013 I-Beam Air Balancer Load Trolley for W-Beam



SPECIFY FLANGE WIDTH  
FROM 4.06" [103.1mm]  
TO 6.08" [154.4mm]

