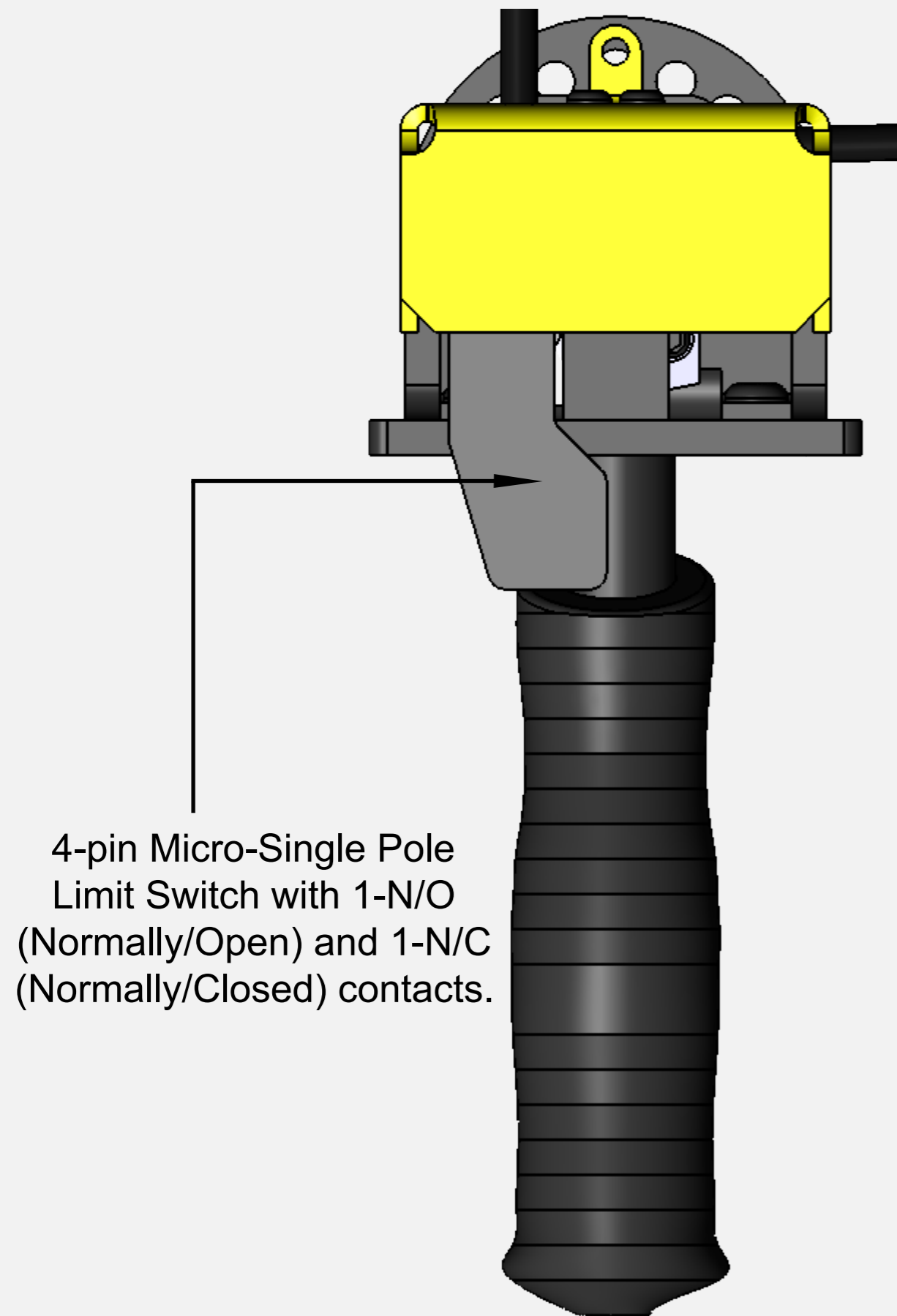
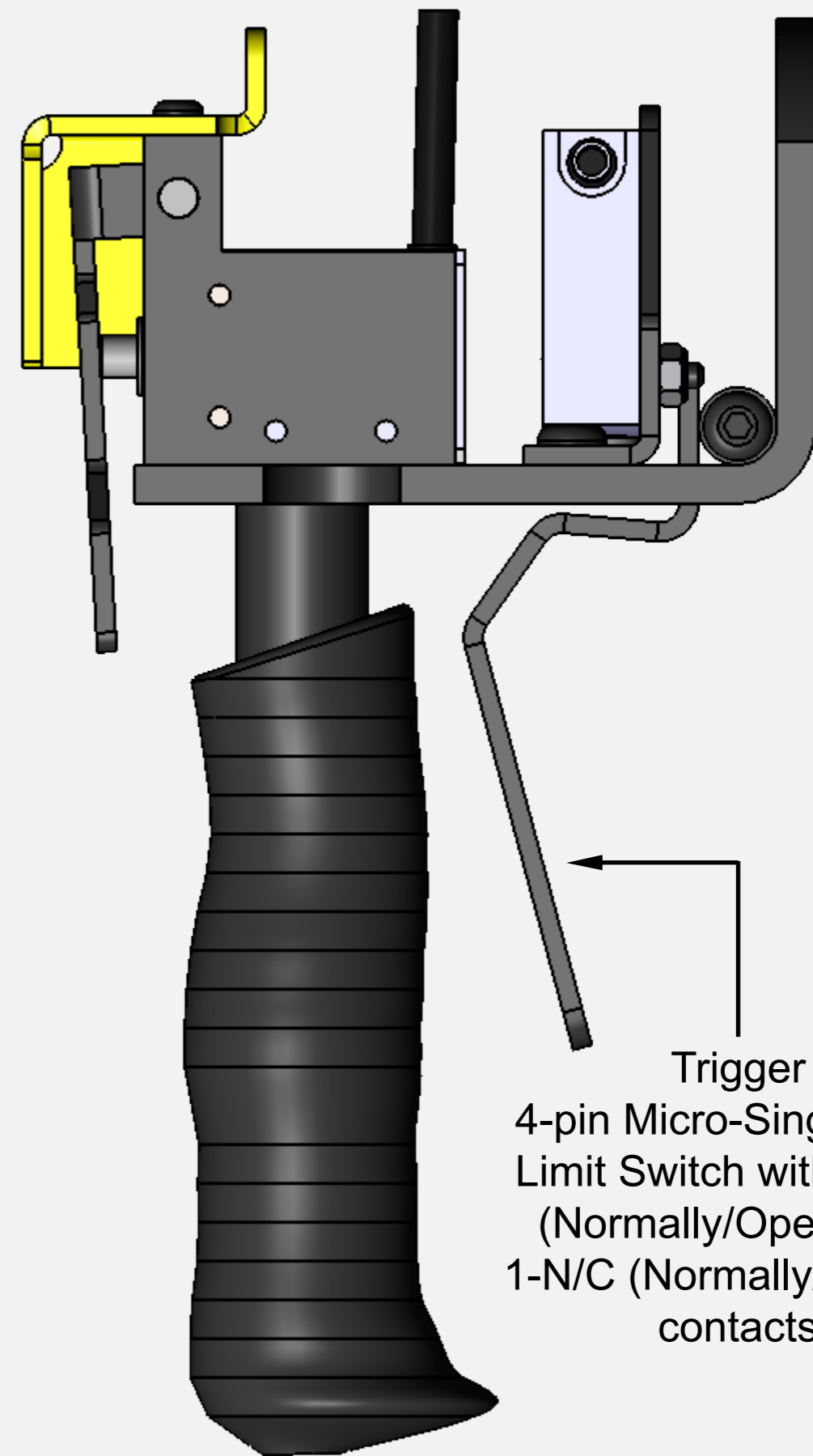


GMEPTA9500 (#ARZ86244L) Electric Control Handle with Electric Trigger



4-pin Micro-Single Pole  
Limit Switch with 1-N/O  
(Normally/Open) and 1-N/C  
(Normally/Closed) contacts.



Trigger  
4-pin Micro-Single Pole  
Limit Switch with 1-N/O  
(Normally/Open) and  
1-N/C (Normally/Closed)  
contacts