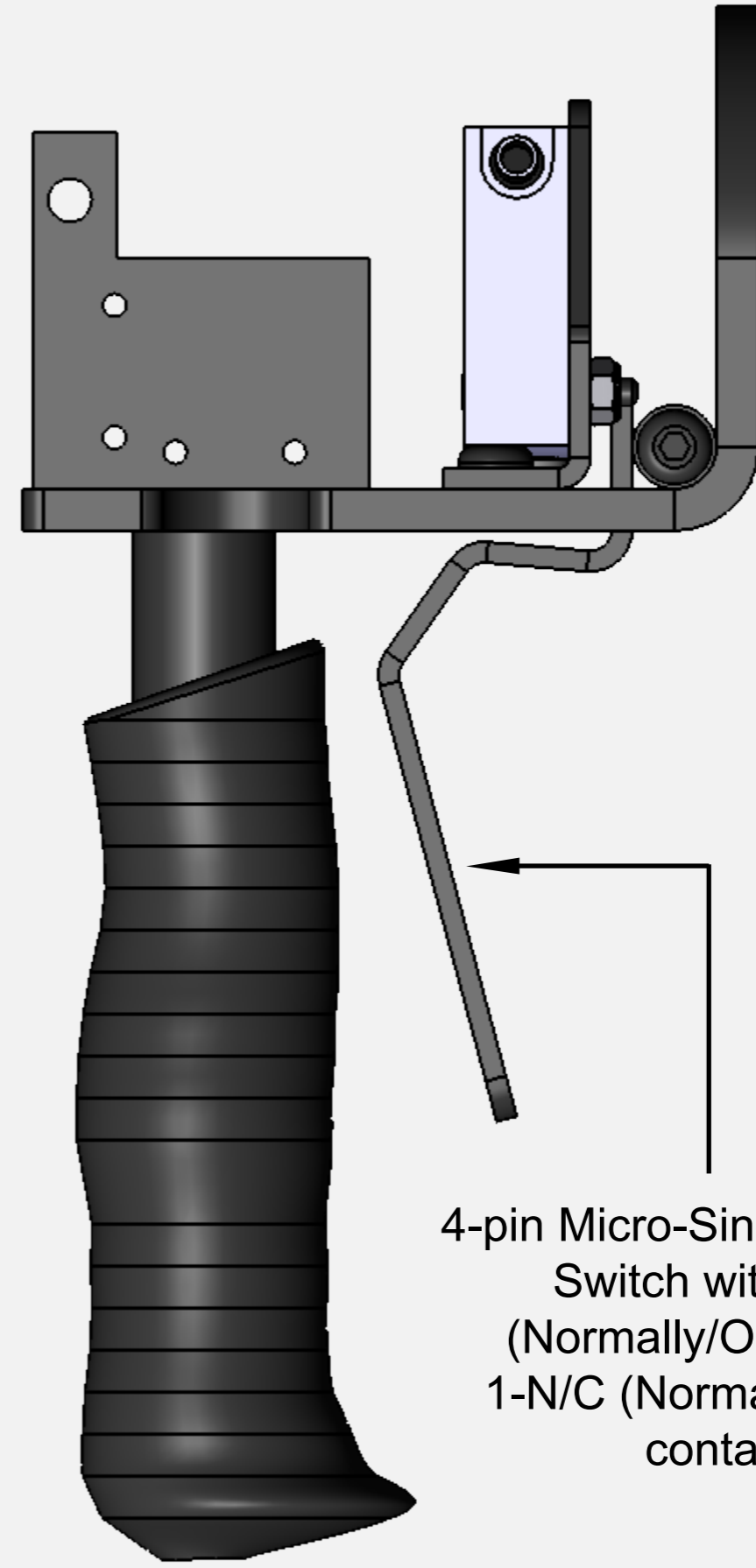
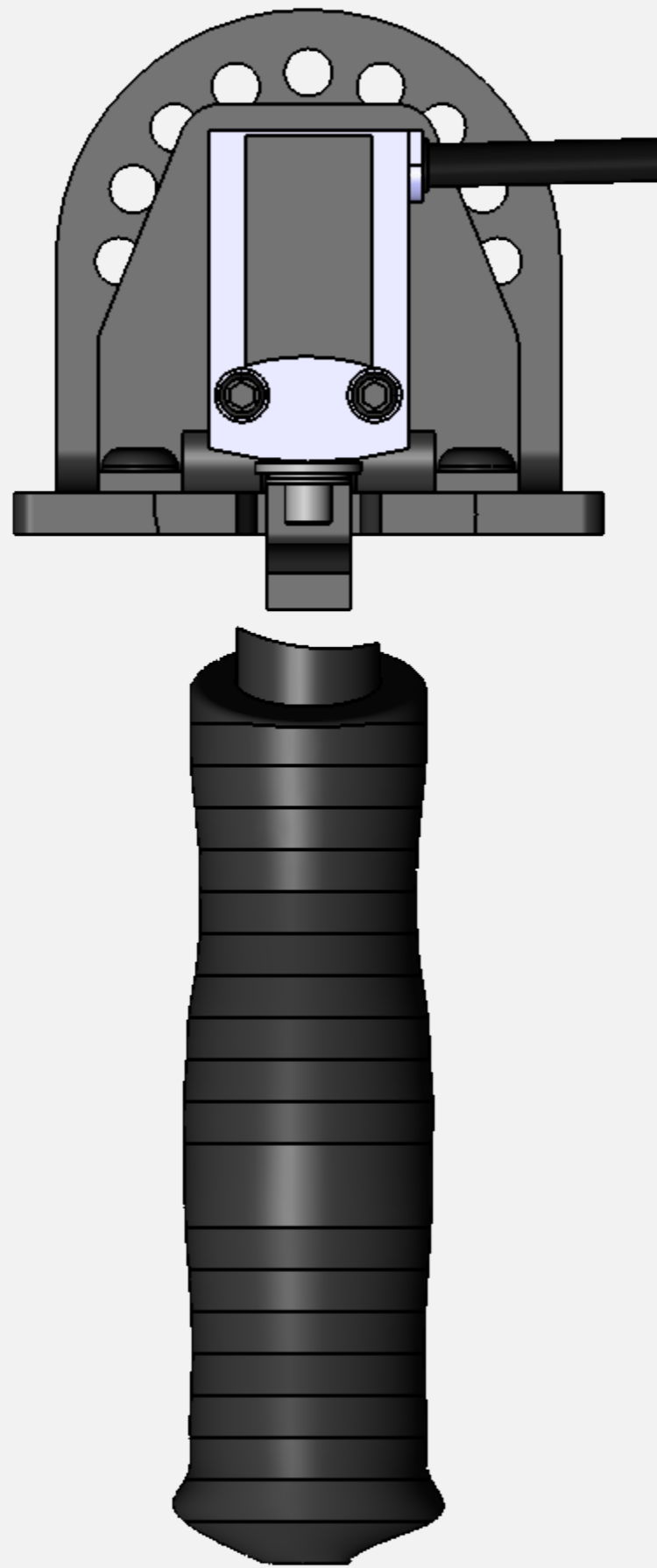


GMEPTA9000 (#ARZ86249S) Electric Trigger Control Handle



4-pin Micro-Single Pole Limit
Switch with 1-N/O
(Normally/Open) and
1-N/C (Normally/Closed)
contacts.