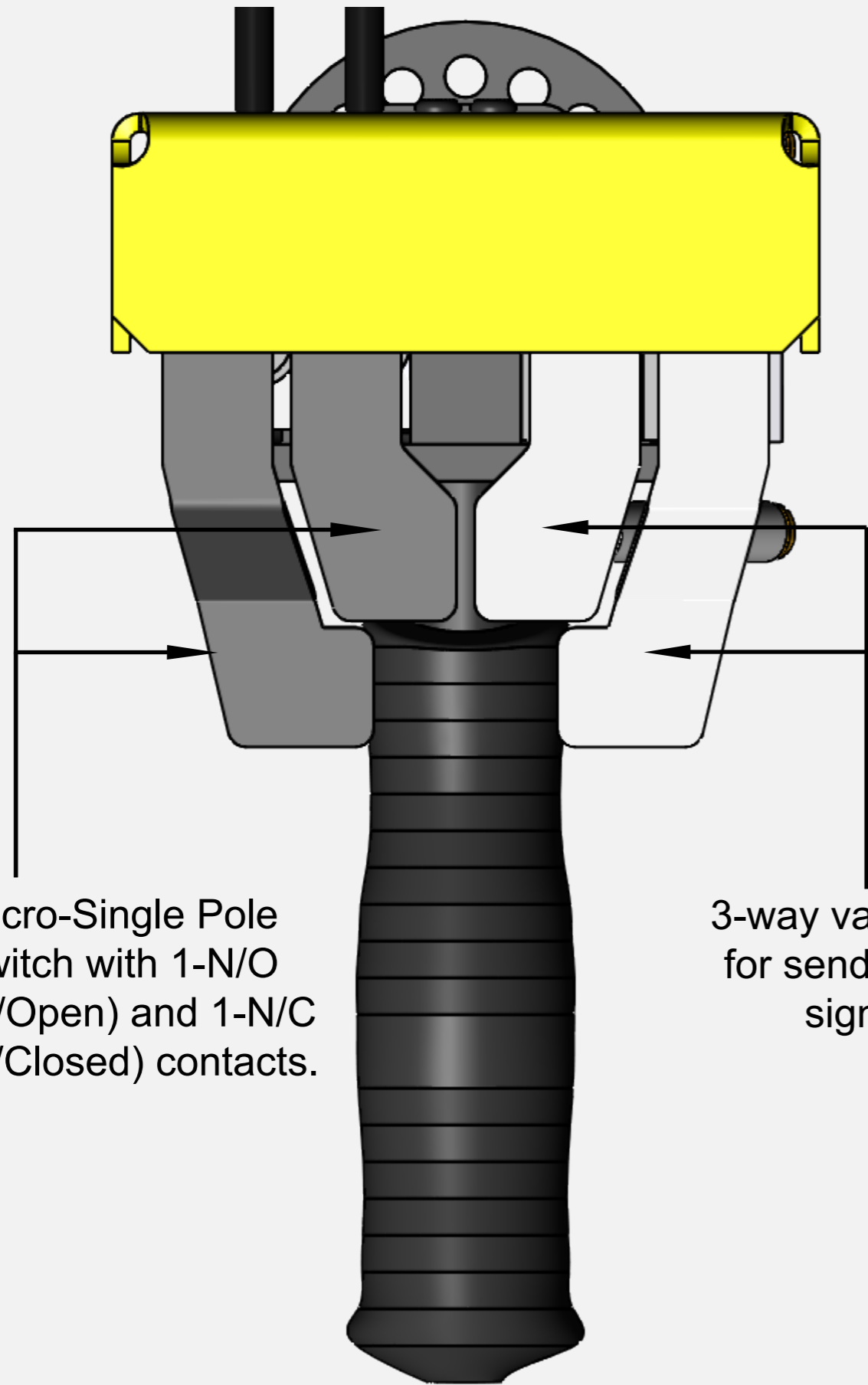
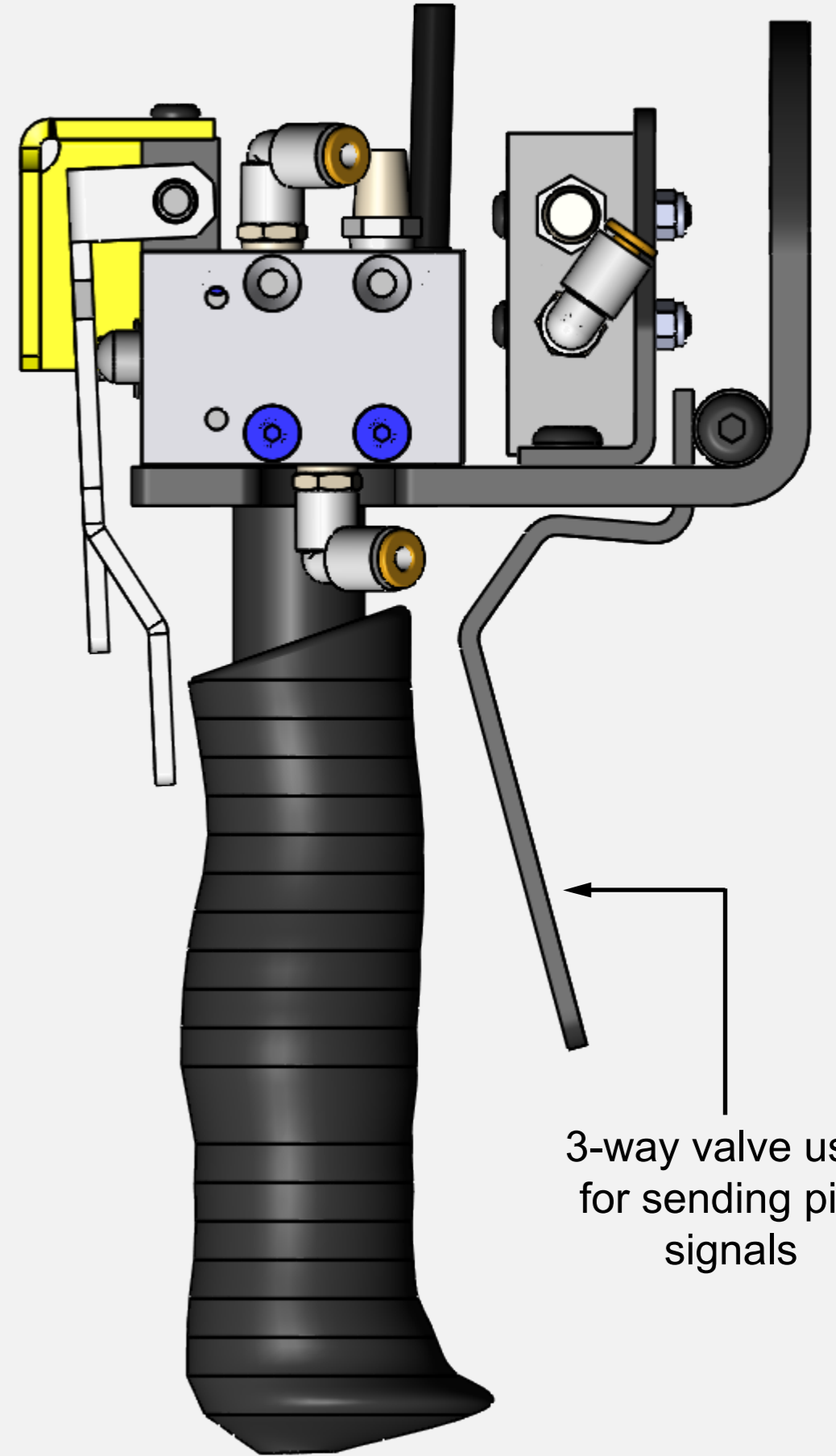


GMEPPTA9610 (#ARZ86305S) Pneumatic-Electric Control Handle with Pneumatic Trigger



4-pin Micro-Single Pole
Limit Switch with 1-N/O
(Normally/Open) and 1-N/C
(Normally/Closed) contacts.

3-way valve used
for sending pilot
signals



3-way valve used
for sending pilot
signals