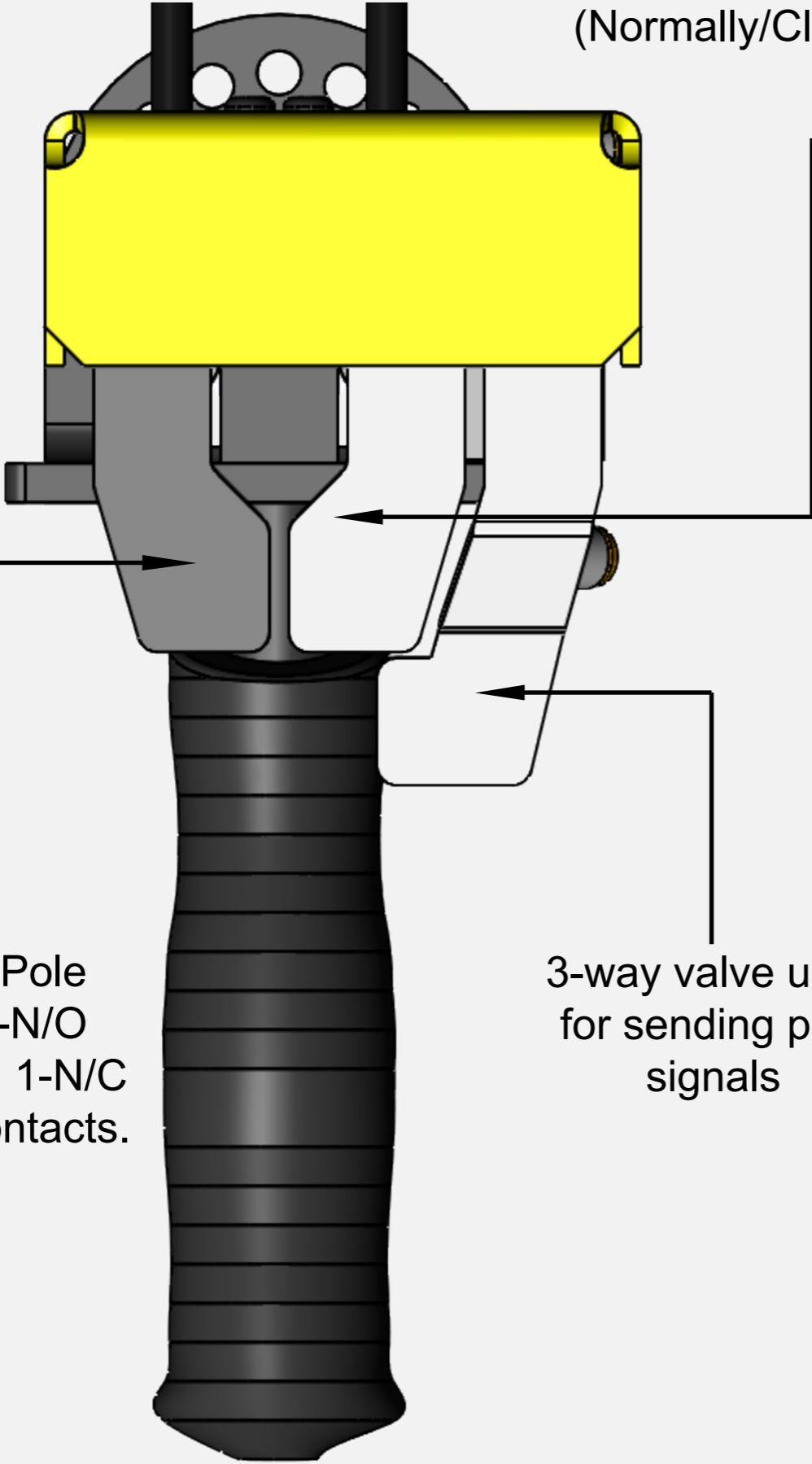


GMEPPA9640 (#ARZ86339R) Pneumatic-Electric Control Handle

4-pin Micro-Single Pole Limit
Switch with 1-N/O
(Normally/Open) and 1-N/C
(Normally/Closed) contacts.



4-pin Micro-Single Pole
Limit Switch with 1-N/O
(Normally/Open) and 1-N/C
(Normally/Closed) contacts.

3-way valve used
for sending pilot
signals

