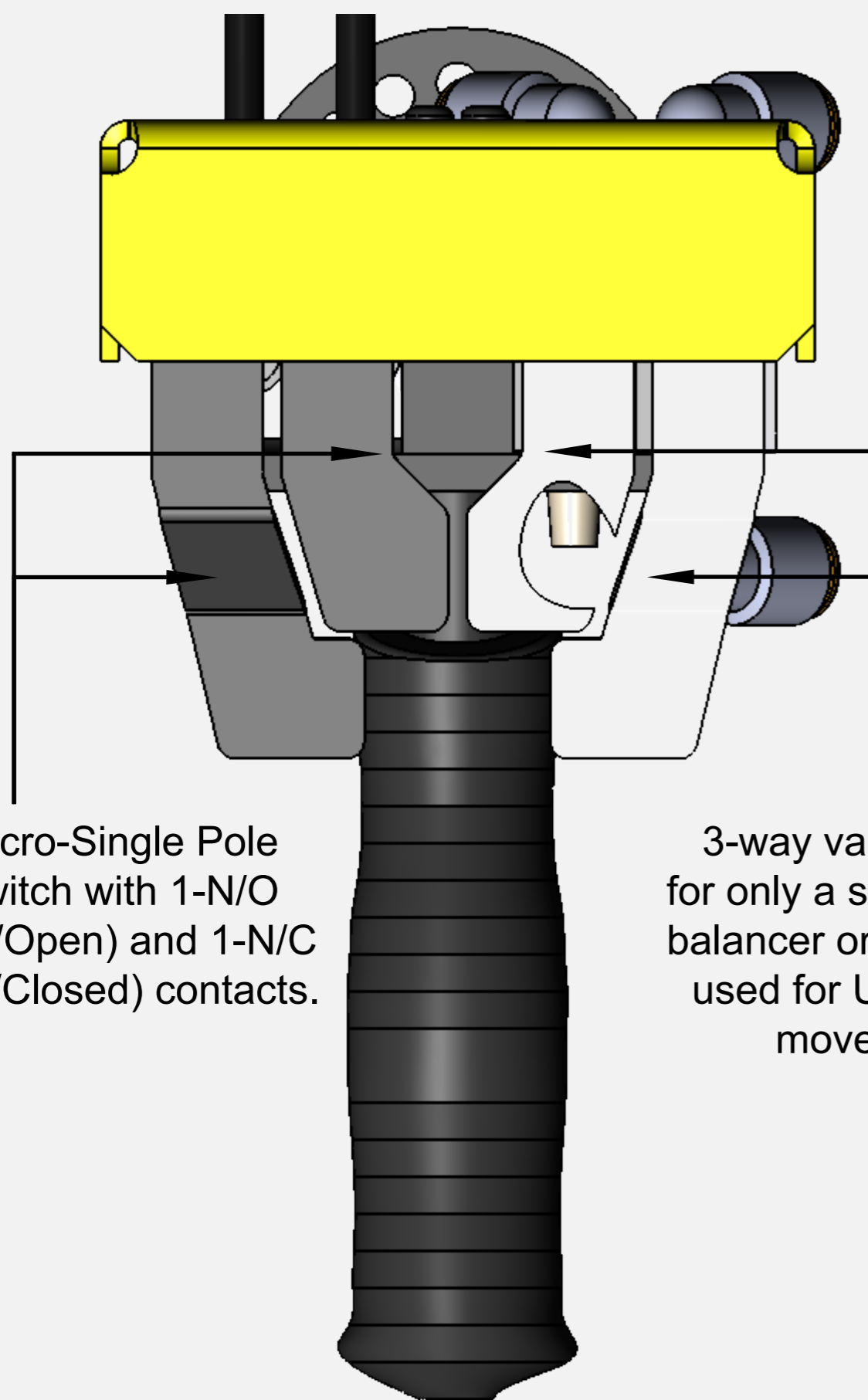


GMEPPA9630 (#ARZ86338S) Pneumatic-Electric Control Handle



4-pin Micro-Single Pole
Limit Switch with 1-N/O
(Normally/Open) and 1-N/C
(Normally/Closed) contacts.

3-way valves used
for only a single acting
balancer or a lift assist
used for UP/DOWN
movement

