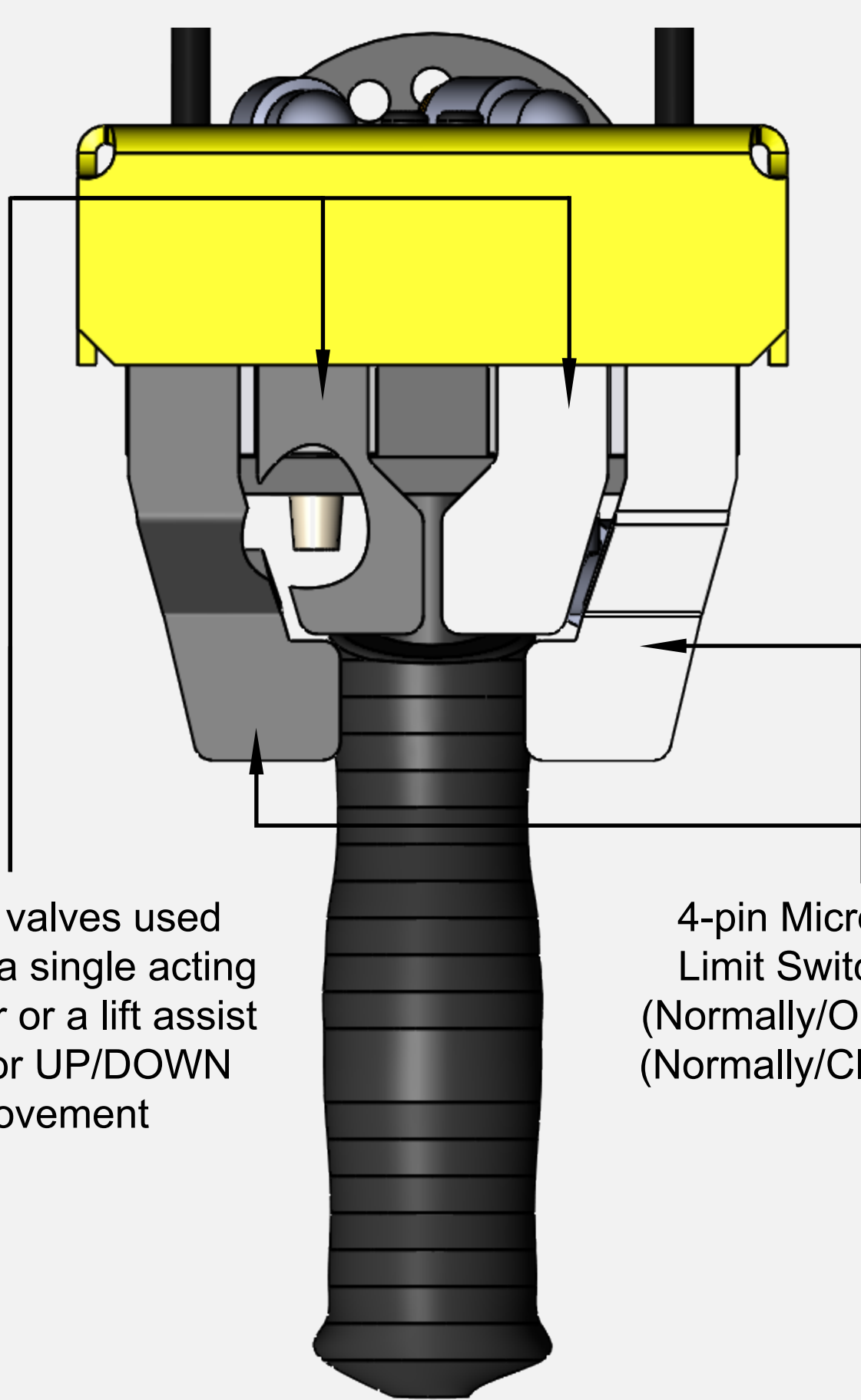


GMEPPA9535 (#ARZ86336S) Pneumatic-Electric Control Handle



3-way valves used for only a single acting balancer or a lift assist used for UP/DOWN movement

4-pin Micro-Single Pole Limit Switch with 1-N/O (Normally/Open) and 1-N/C (Normally/Closed) contacts.

