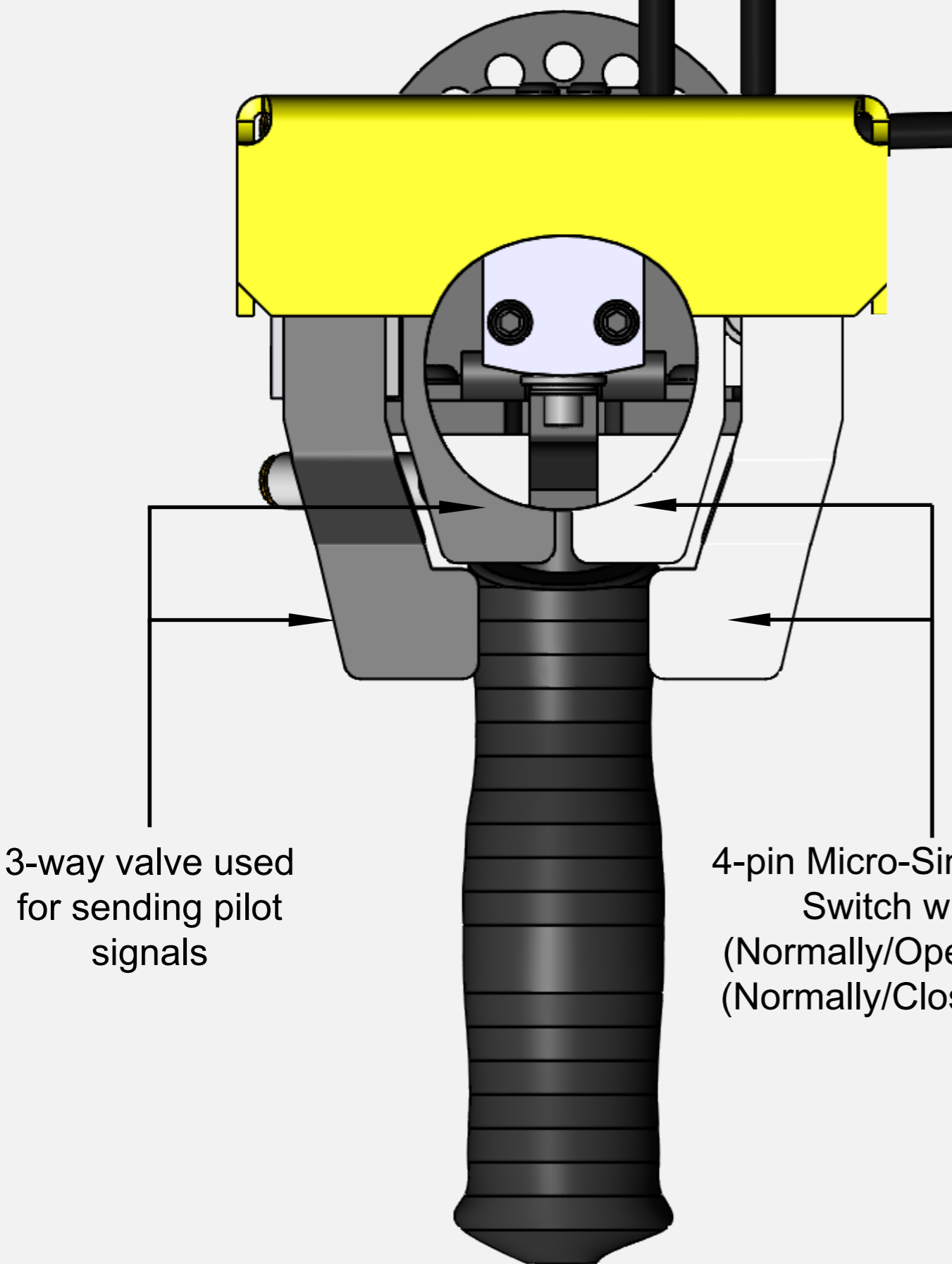
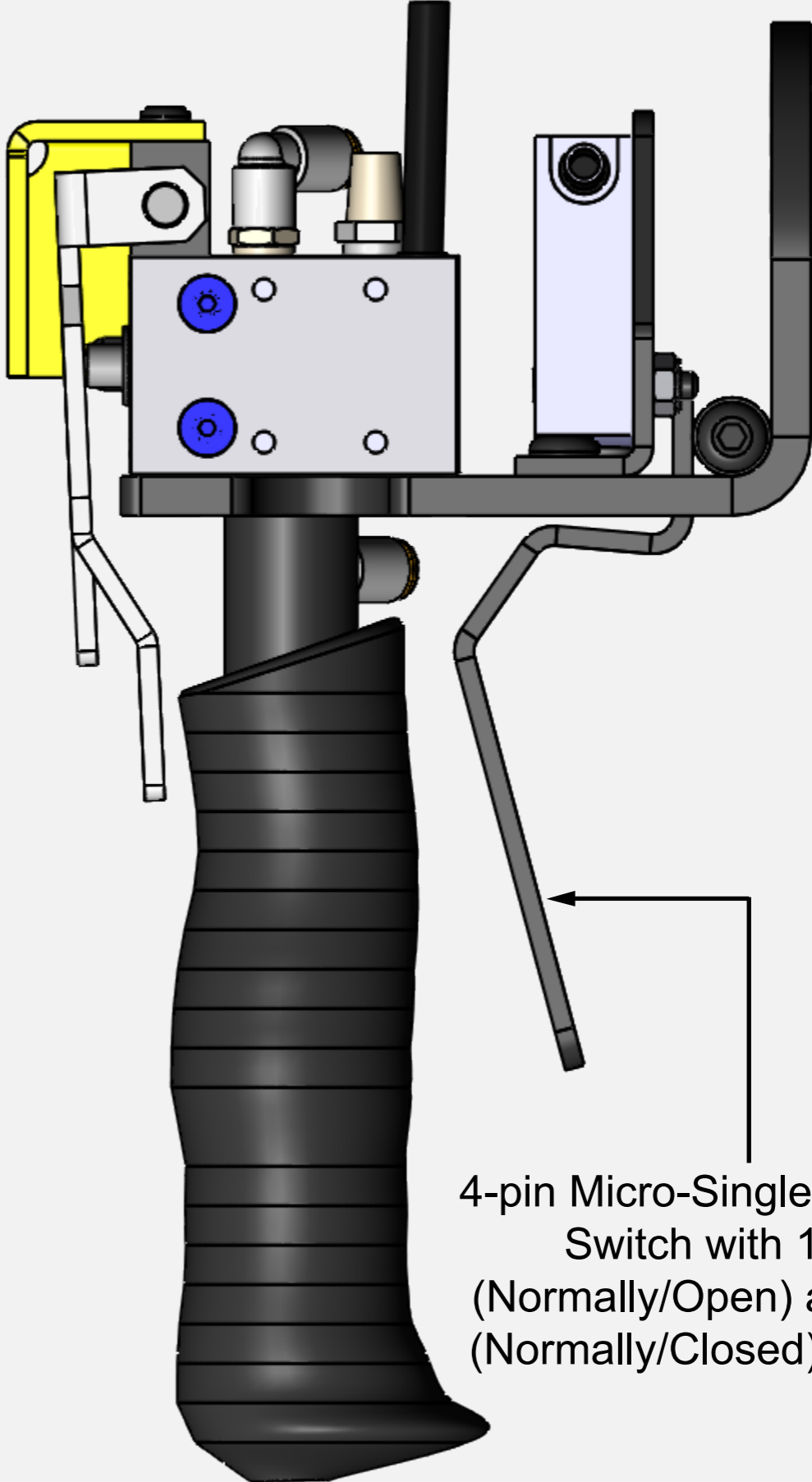


GMEPETA9160 (#ARZ86283S) Pneumatic-Electric Control Handle with Electric Trigger



3-way valve used for sending pilot signals

4-pin Micro-Single Pole Limit Switch with 1-N/O (Normally/Open) and 1-N/C (Normally/Closed) contacts.



4-pin Micro-Single Pole Limit Switch with 1-N/O (Normally/Open) and 1-N/C (Normally/Closed) contacts.