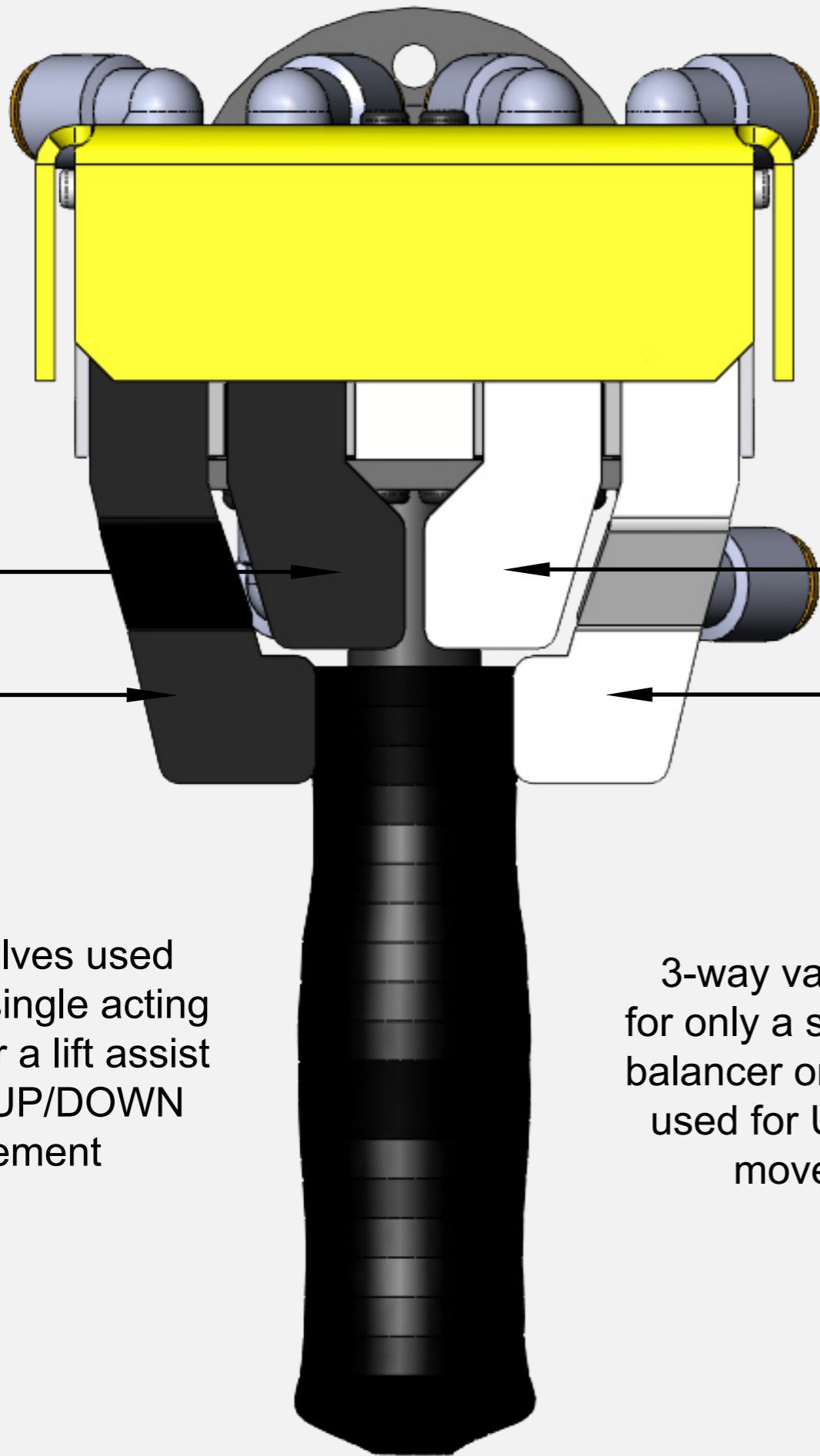
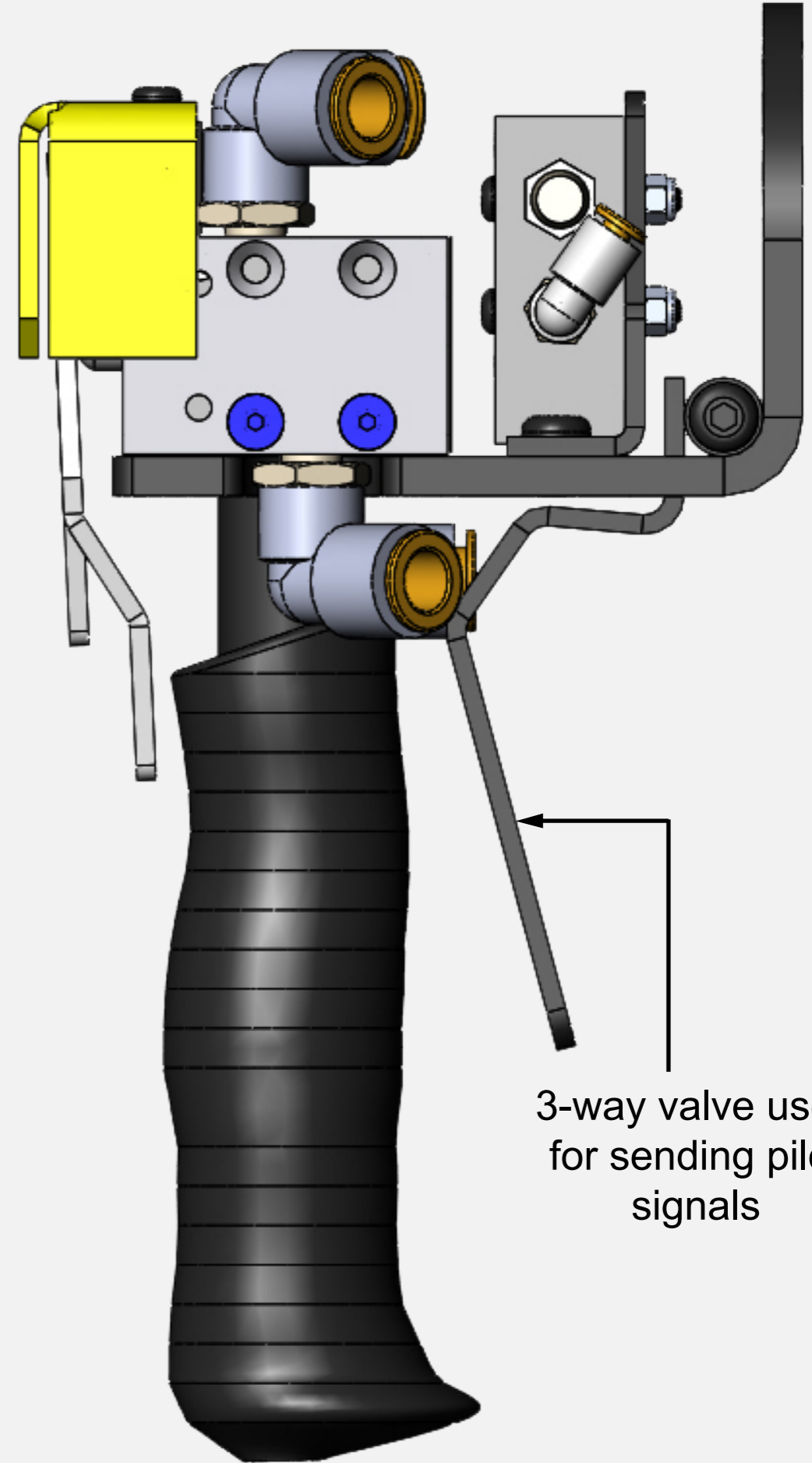


GMBPTA9330 (#ARZ86237S) Pneumatic Control Handle with Pneumatic Trigger



3-way valves used for only a single acting balancer or a lift assist used for UP/DOWN movement

3-way valves used for only a single acting balancer or a lift assist used for UP/DOWN movement



3-way valve used for sending pilot signals