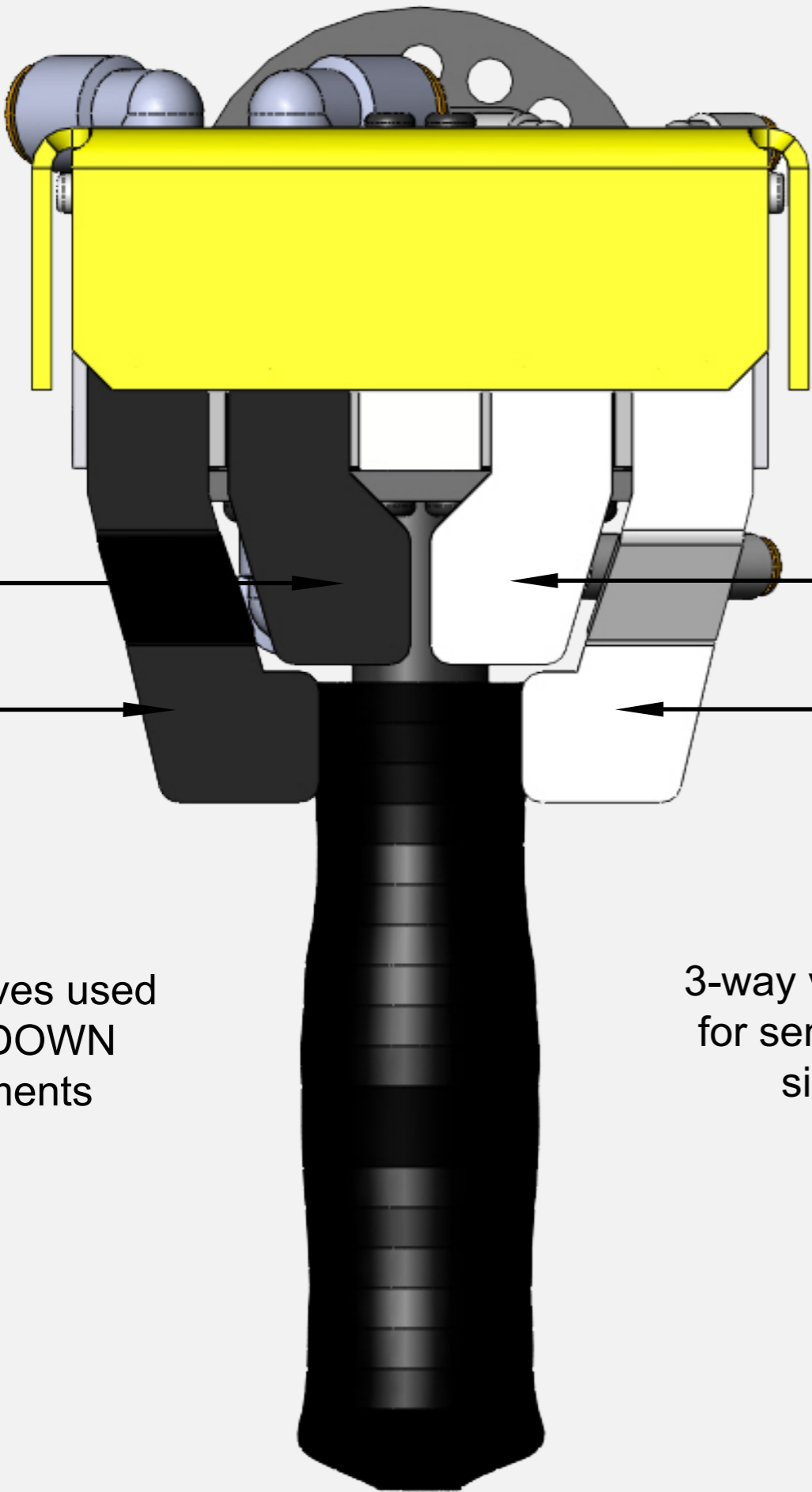
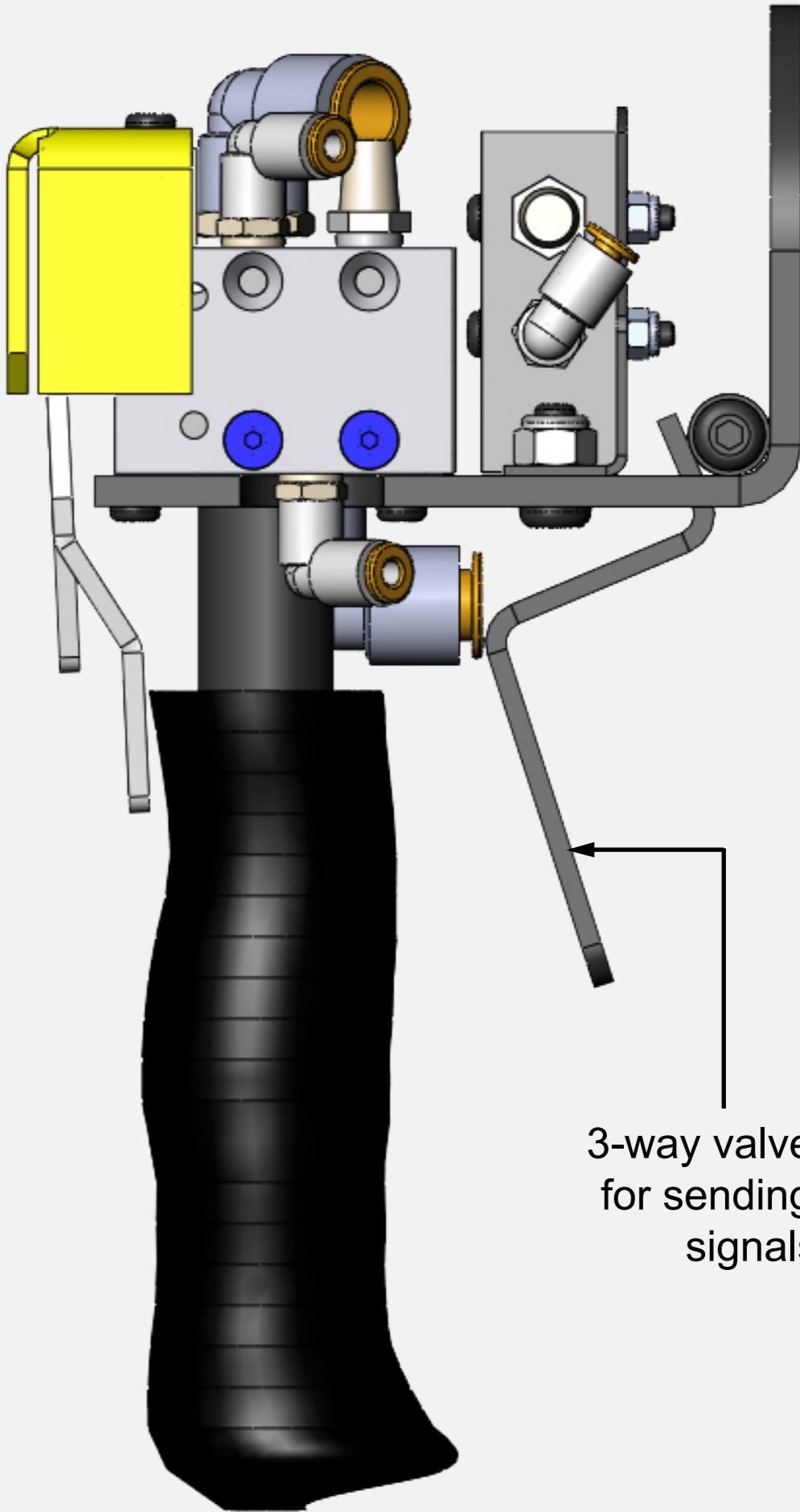


GMBPTA9310 (#ARZ86236S) Pneumatic Control Handle with Pneumatic Trigger



3-way valves used for UP/DOWN movements

3-way valve used for sending pilot signals



3-way valve used for sending pilot signals