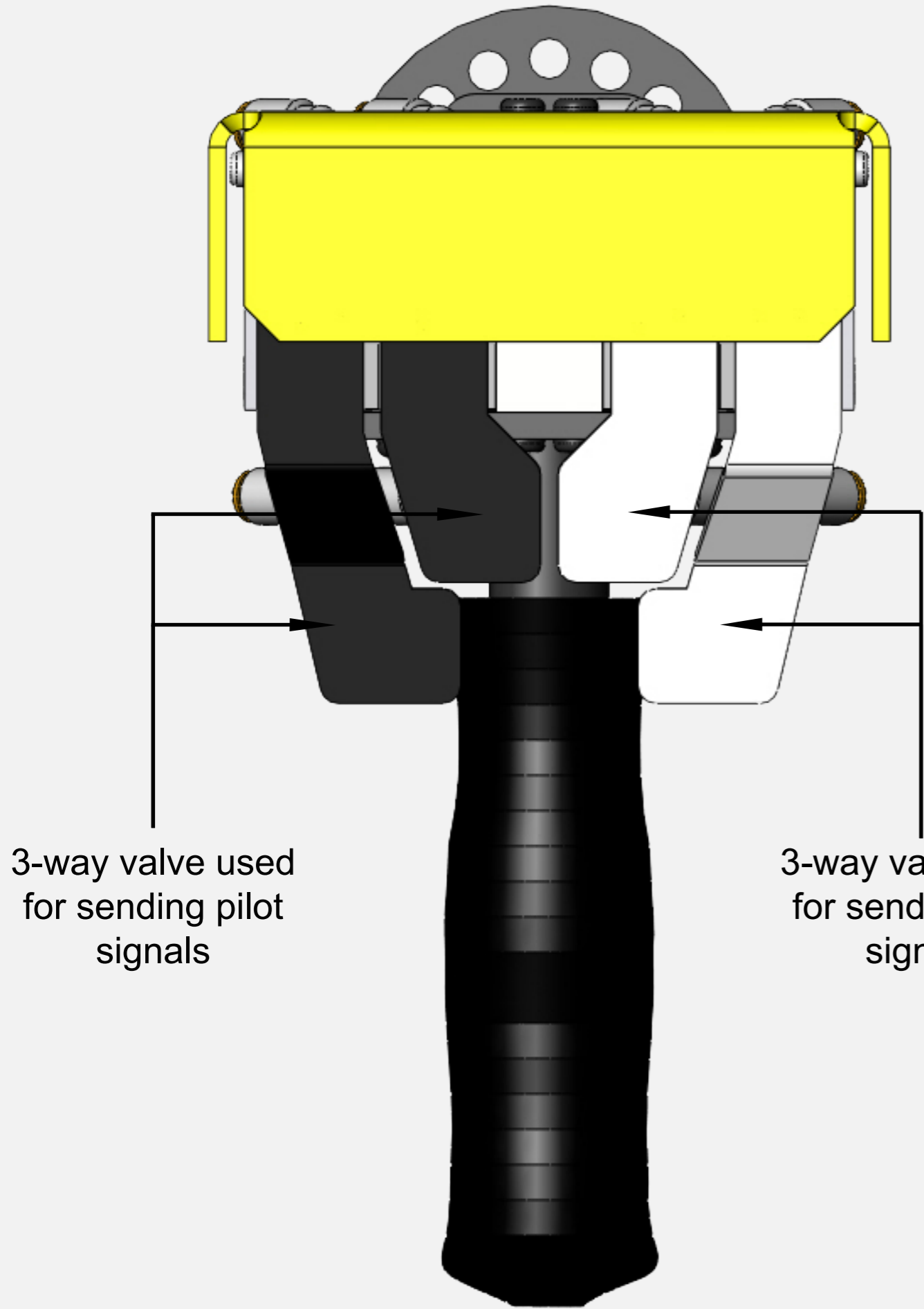
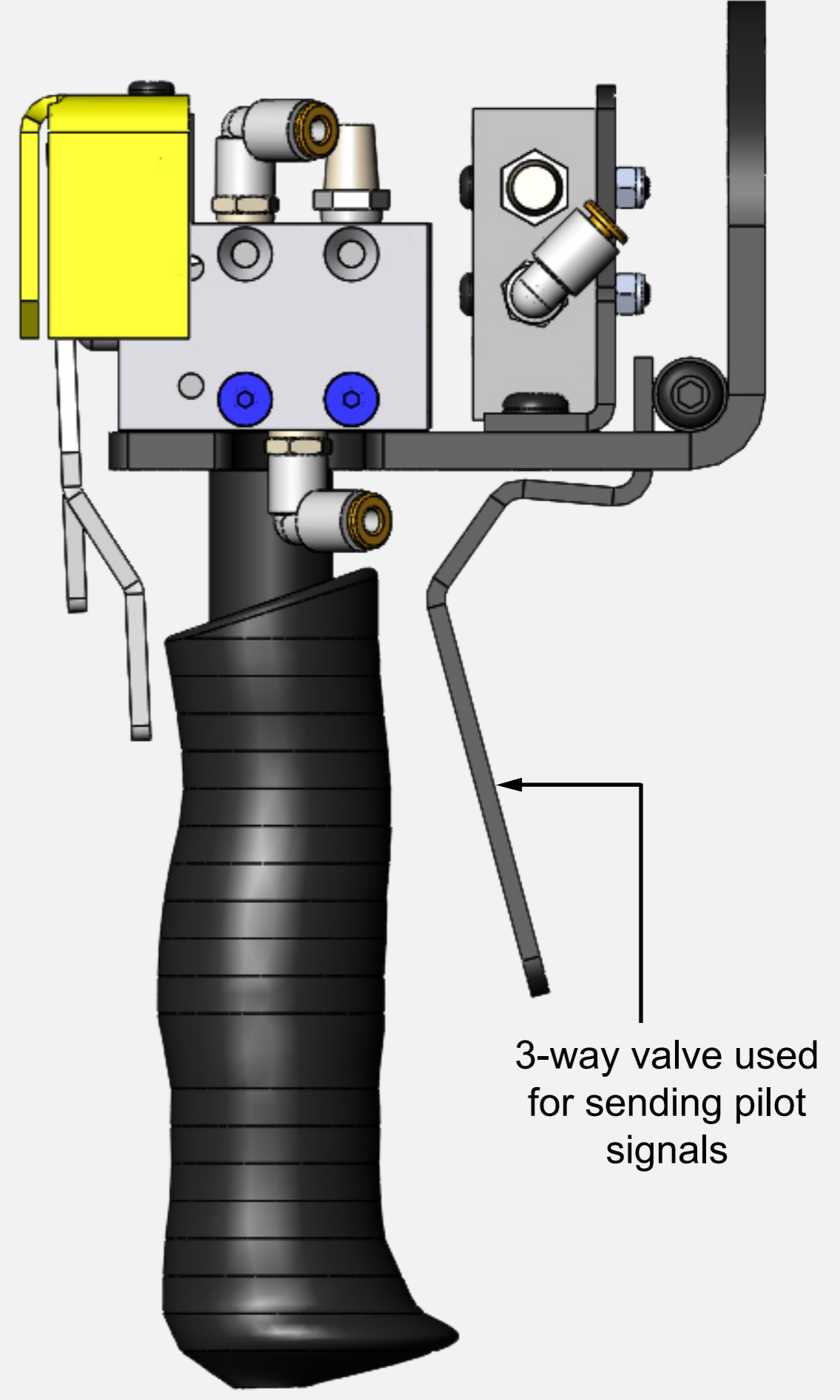


GMBPTA9110 (#ARZ86232S) Pneumatic Control Handle with Pneumatic Trigger



3-way valve used
for sending pilot
signals

3-way valve used
for sending pilot
signals



3-way valve used
for sending pilot
signals