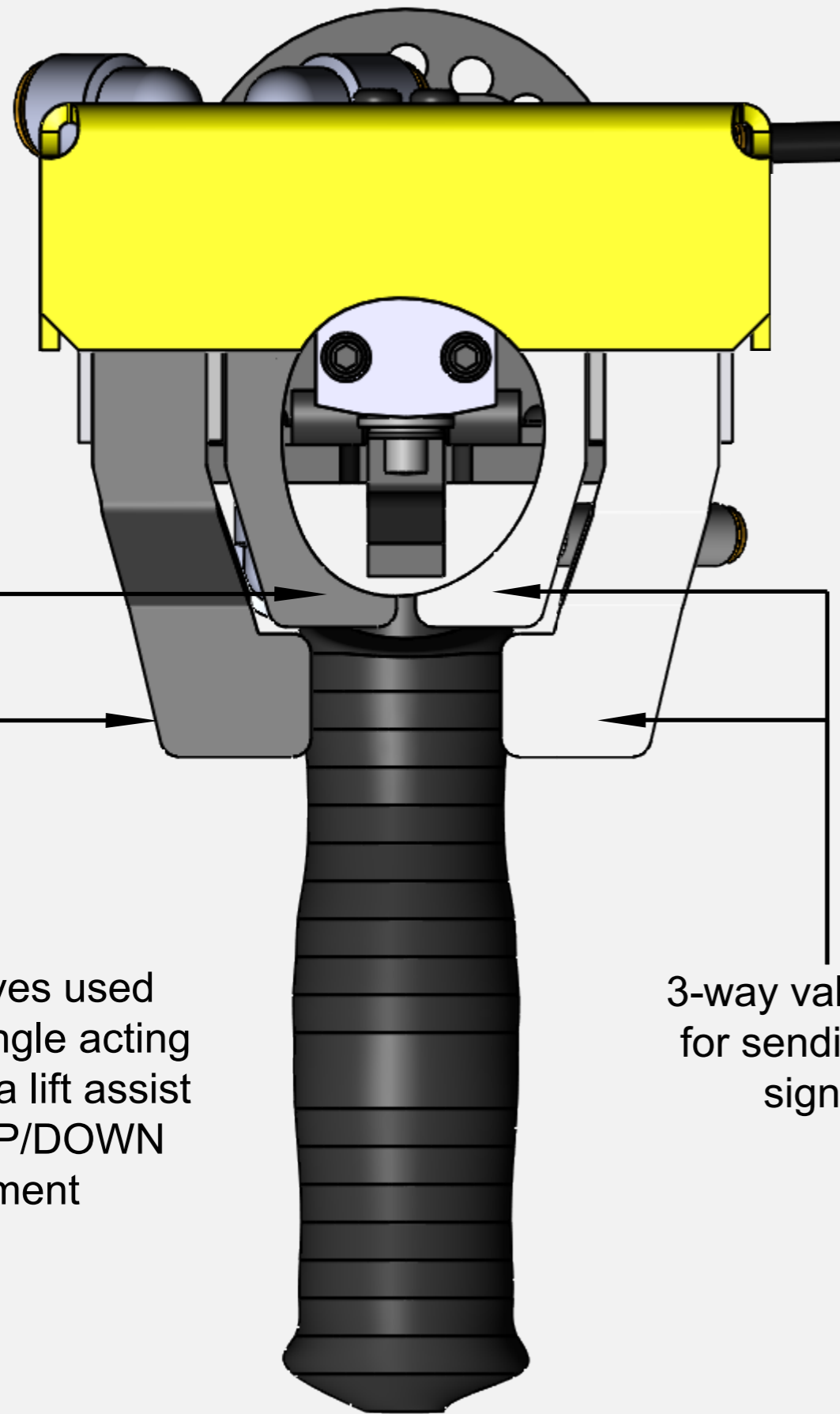
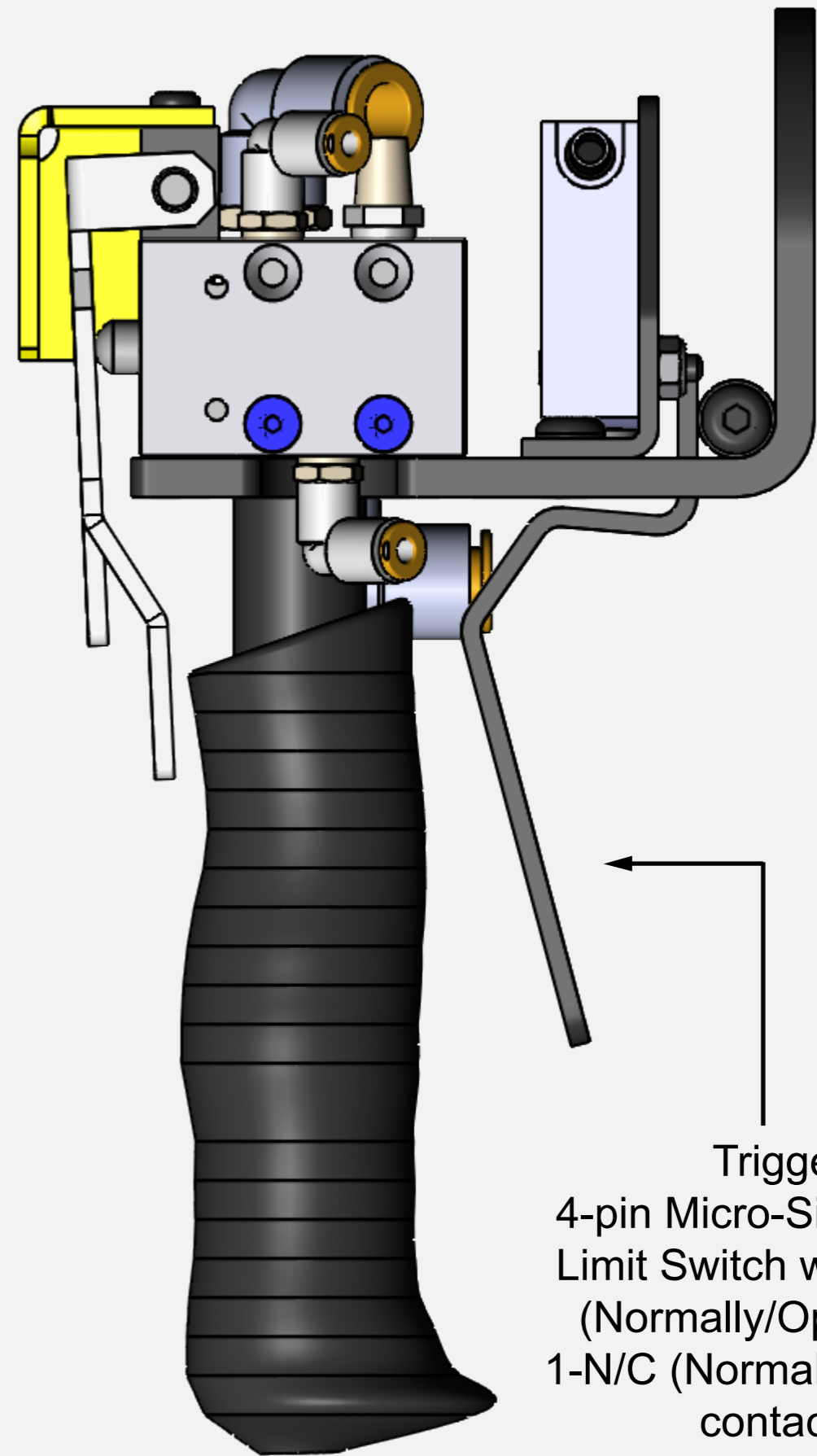


GMBPETA9310 (#ARZ86314S) Pneumatic Control Handle with Electric Trigger



3-way valves used for only a single acting balancer or a lift assist used for UP/DOWN movement

3-way valve used for sending pilot signals



Trigger
4-pin Micro-Single Pole Limit Switch with 1-N/O (Normally/Open) and 1-N/C (Normally/Closed) contacts