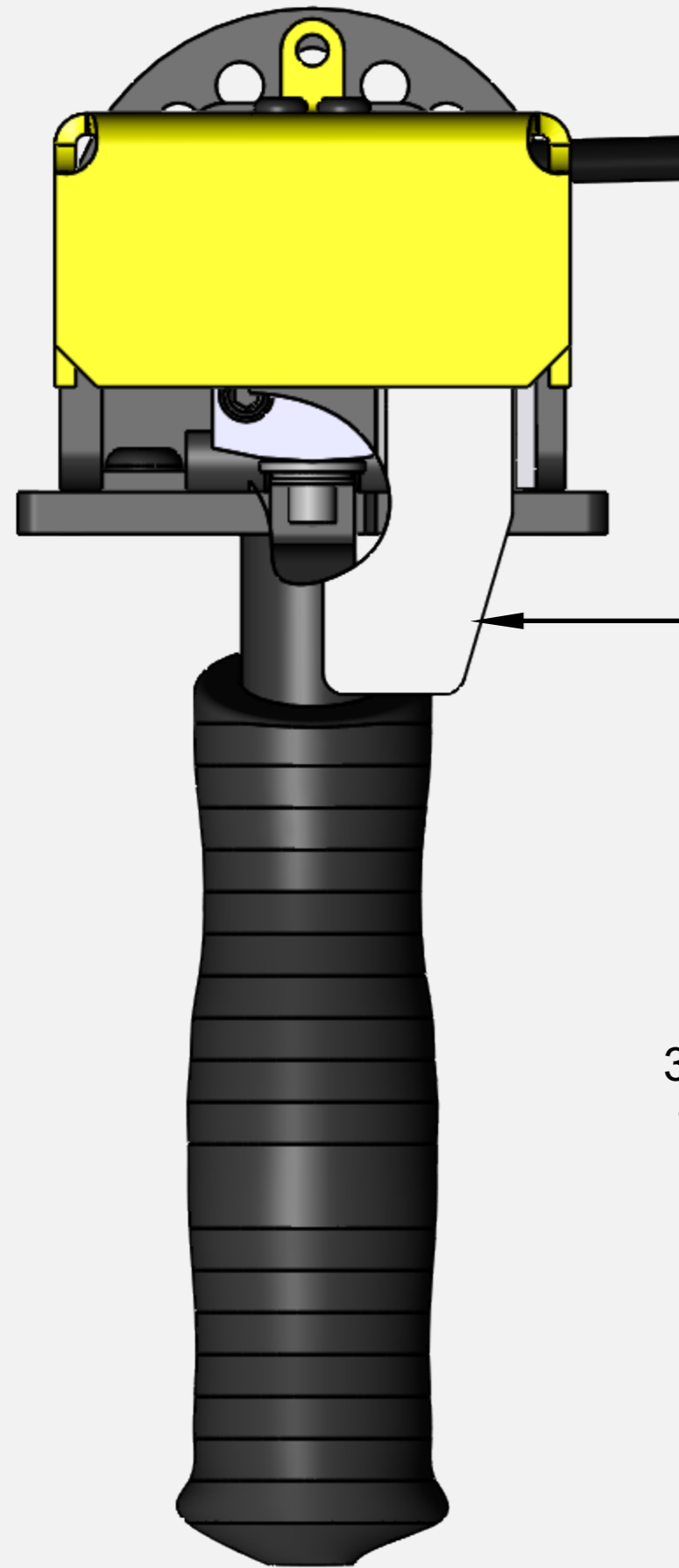
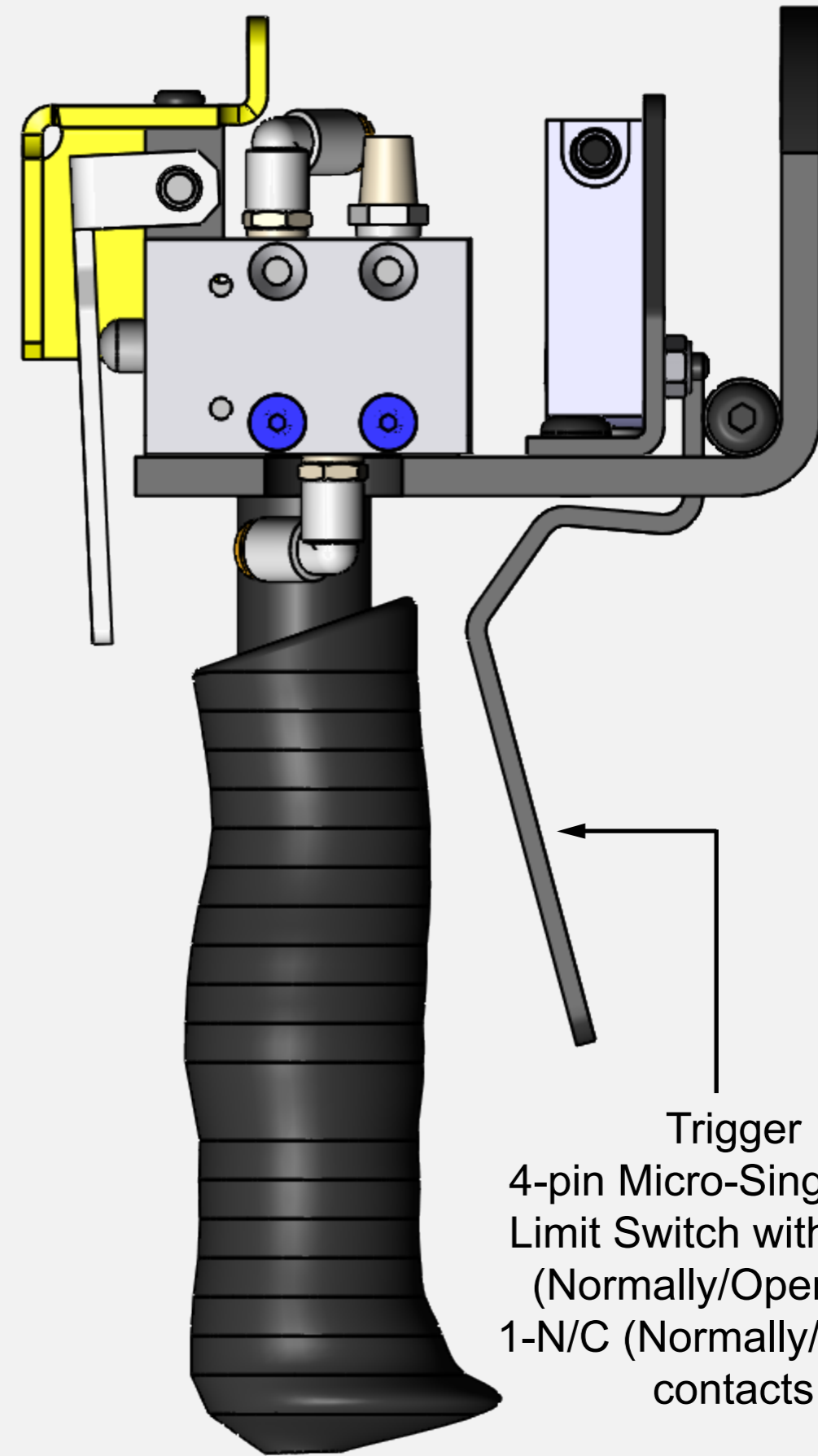


GMBPETA9040 (#ARZ86308R) Pneumatic Control Handle with Electric Trigger



3-way valve used  
for sending pilot  
signals



Trigger  
4-pin Micro-Single Pole  
Limit Switch with 1-N/O  
(Normally/Open) and  
1-N/C (Normally/Closed)  
contacts