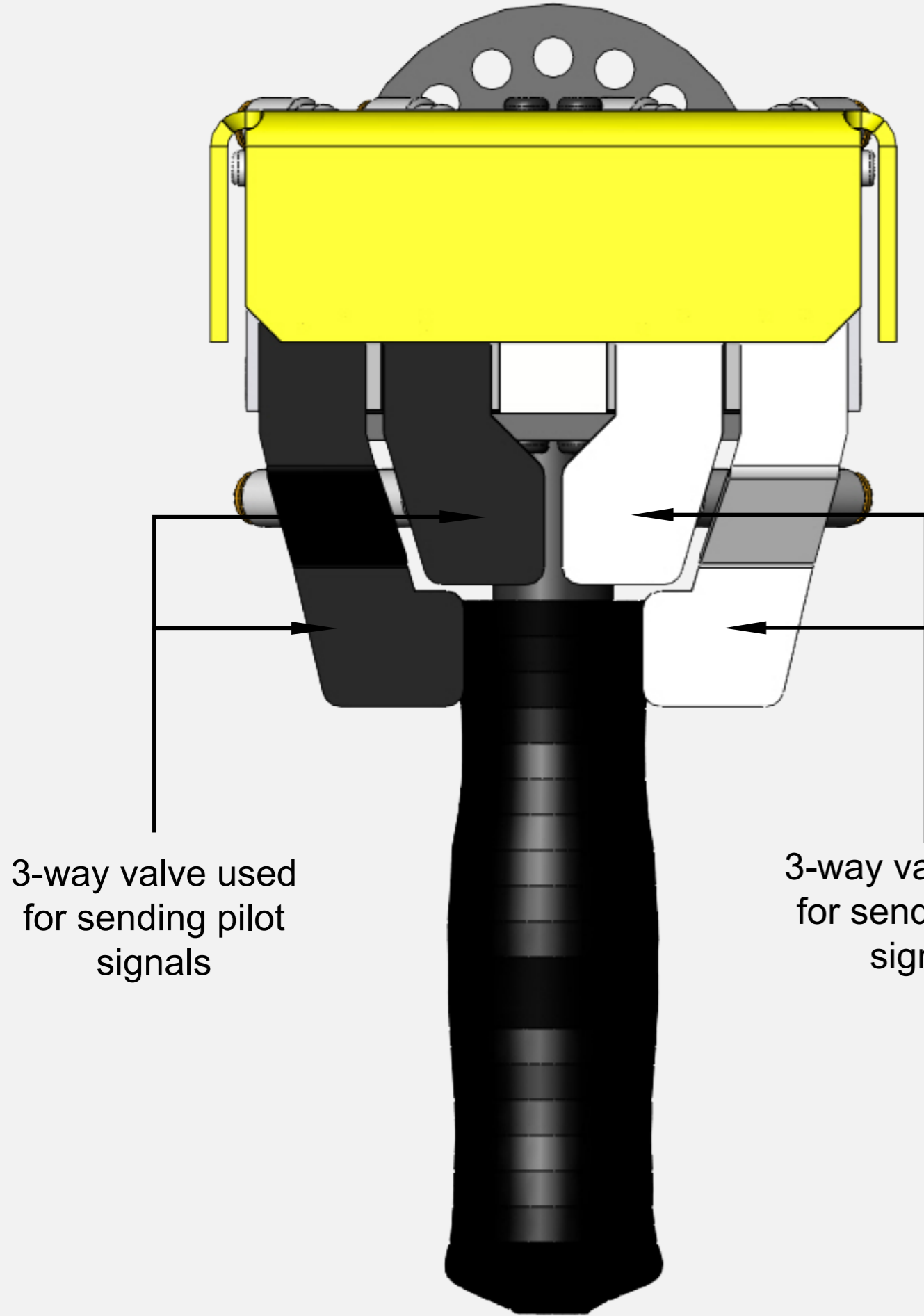


# GMBPA9110 (#ARZ86219S) Pneumatic Control Handle



3-way valve used  
for sending pilot  
signals

3-way valve used  
for sending pilot  
signals

