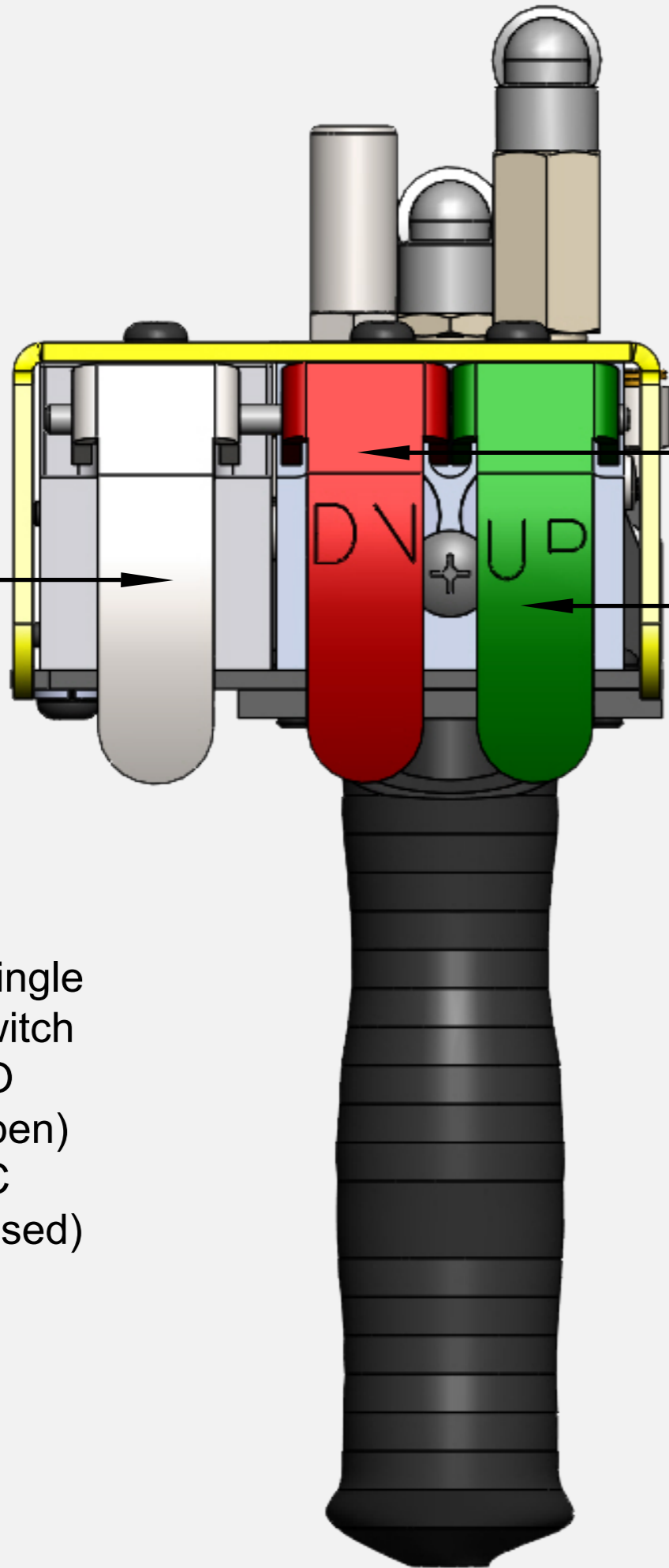
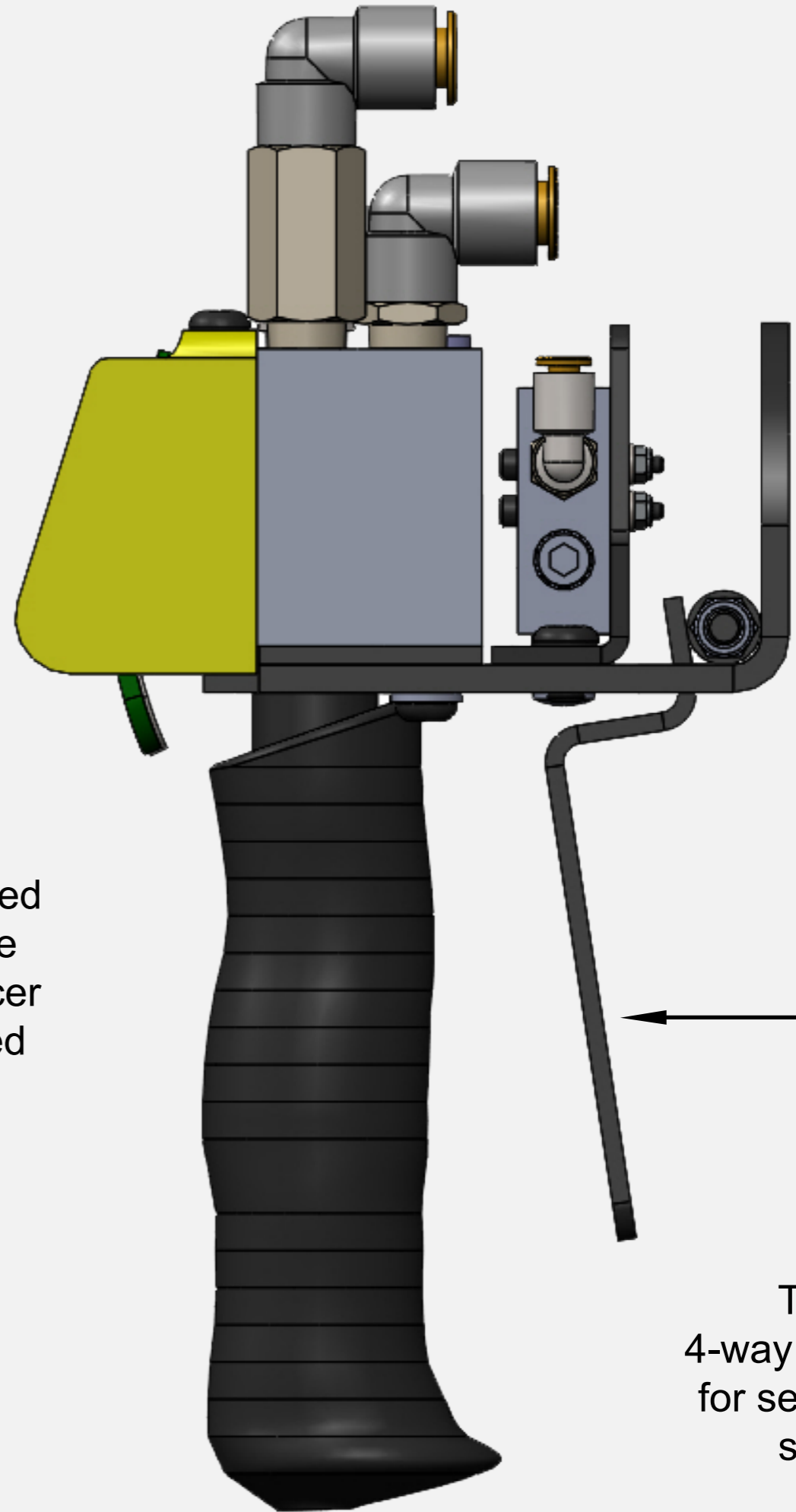


# EPPTA9530 Series Pneumatic-Electric Control Handle with Pneumatic Trigger



4-pin Micro-Single Pole Limit Switch with 1-N/O (Normally/Open) and 1-N/C (Normally/Closed) contacts.

2-way valves used for only a single acting air balancer or lift assist used for UP/DOWN movement.



Trigger 4-way valve used for sending pilot signals