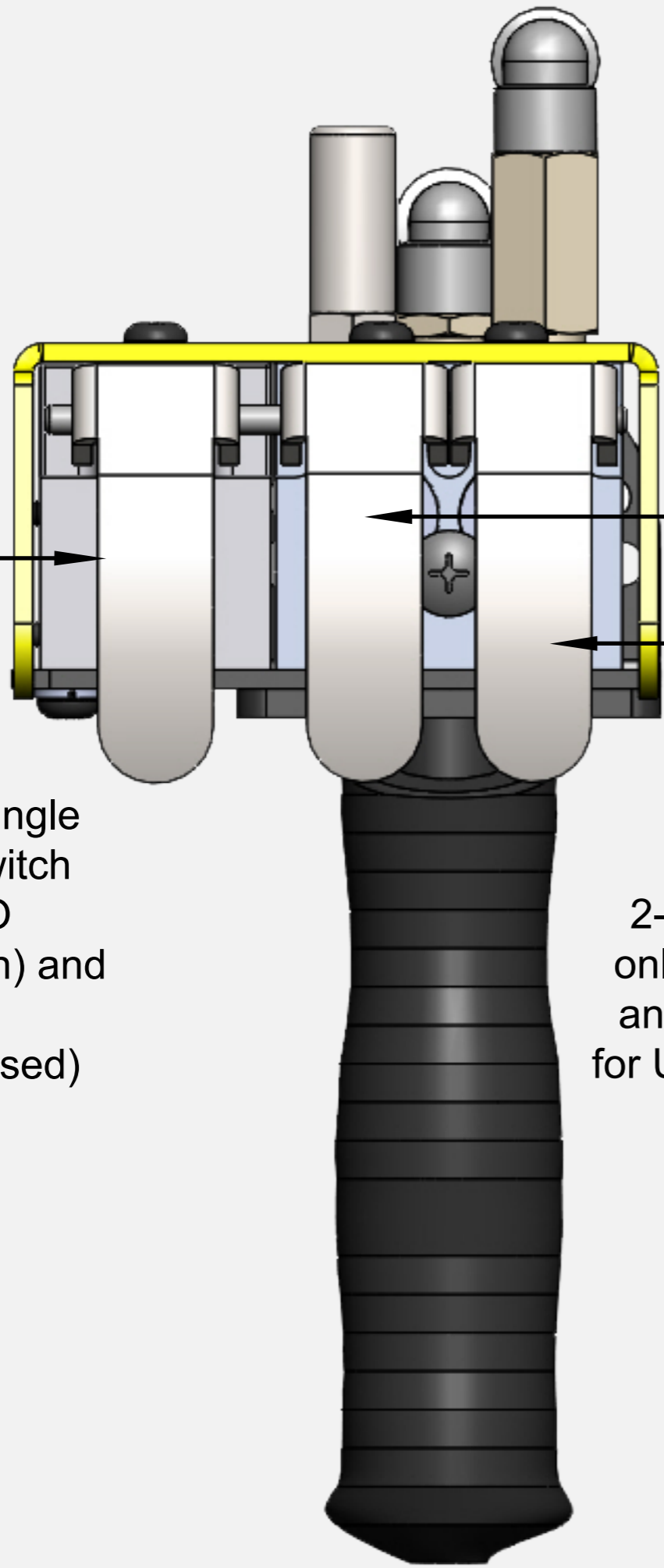


EPPA9530 Series Electric-Pneumatic Control Handle



4-pin Micro-Single Pole Limit Switch with 1-N/O (Normally/Open) and 1-N/C (Normally/Closed) contacts.

2-way valves used for only a single acting balancer or lift assist used for UP/DOWN movement.

