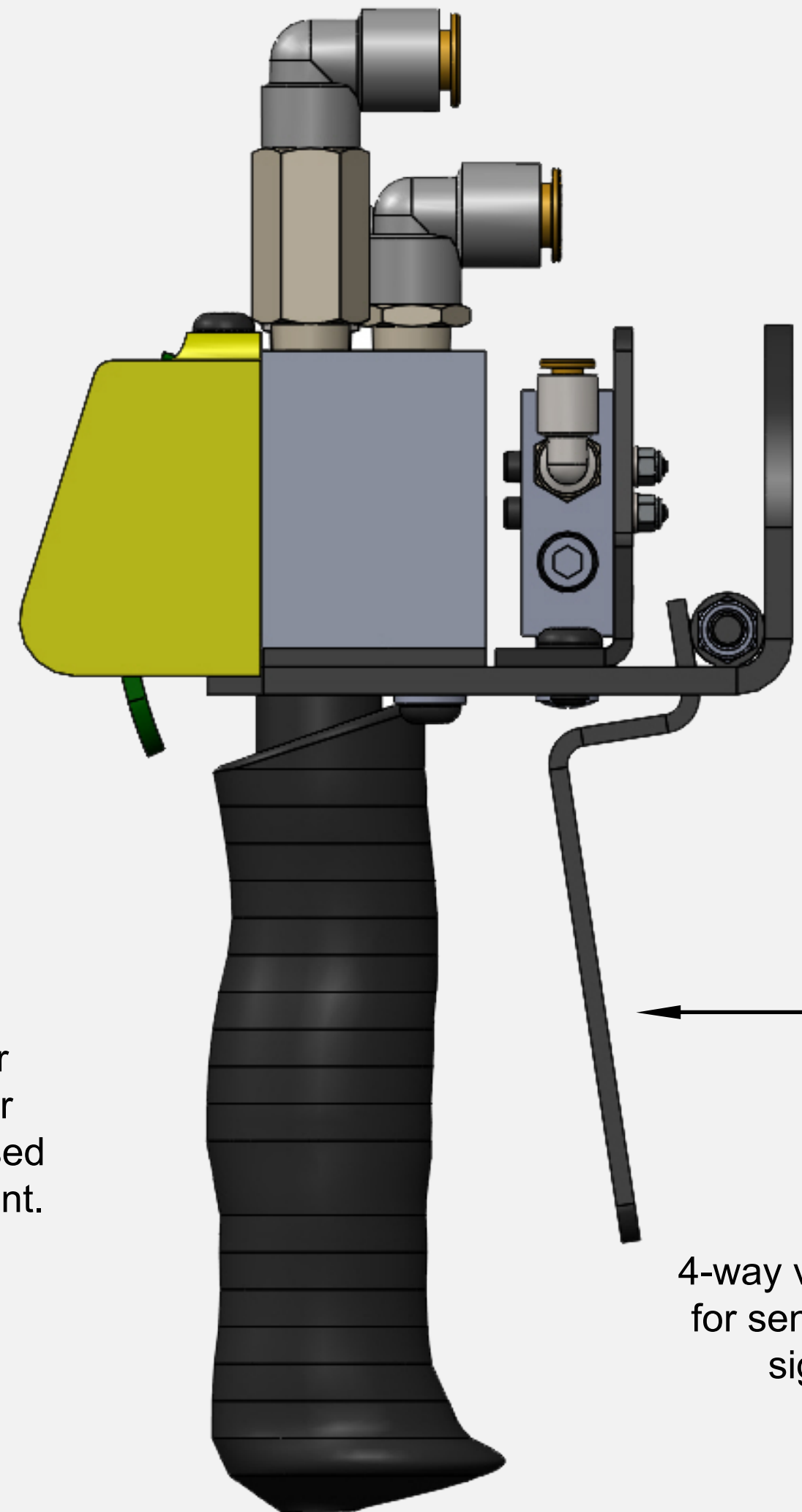
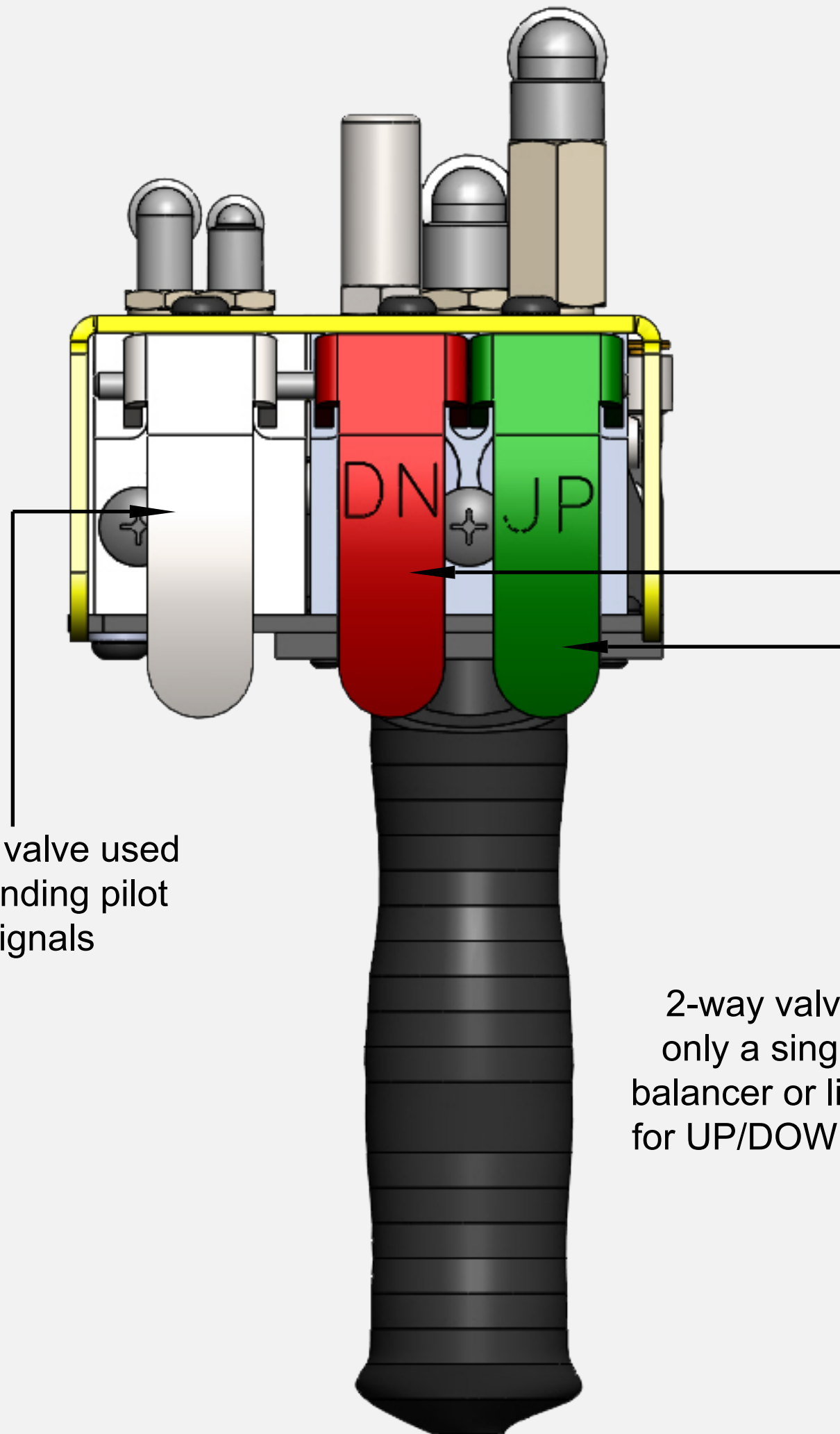


BPTA9430 Series Pneumatic Control Handle with Pneumatic Trigger



3-way valve used for sending pilot signals

2-way valves used for only a single acting air balancer or lift assist used for UP/DOWN movement.

4-way valve used for sending pilot signals