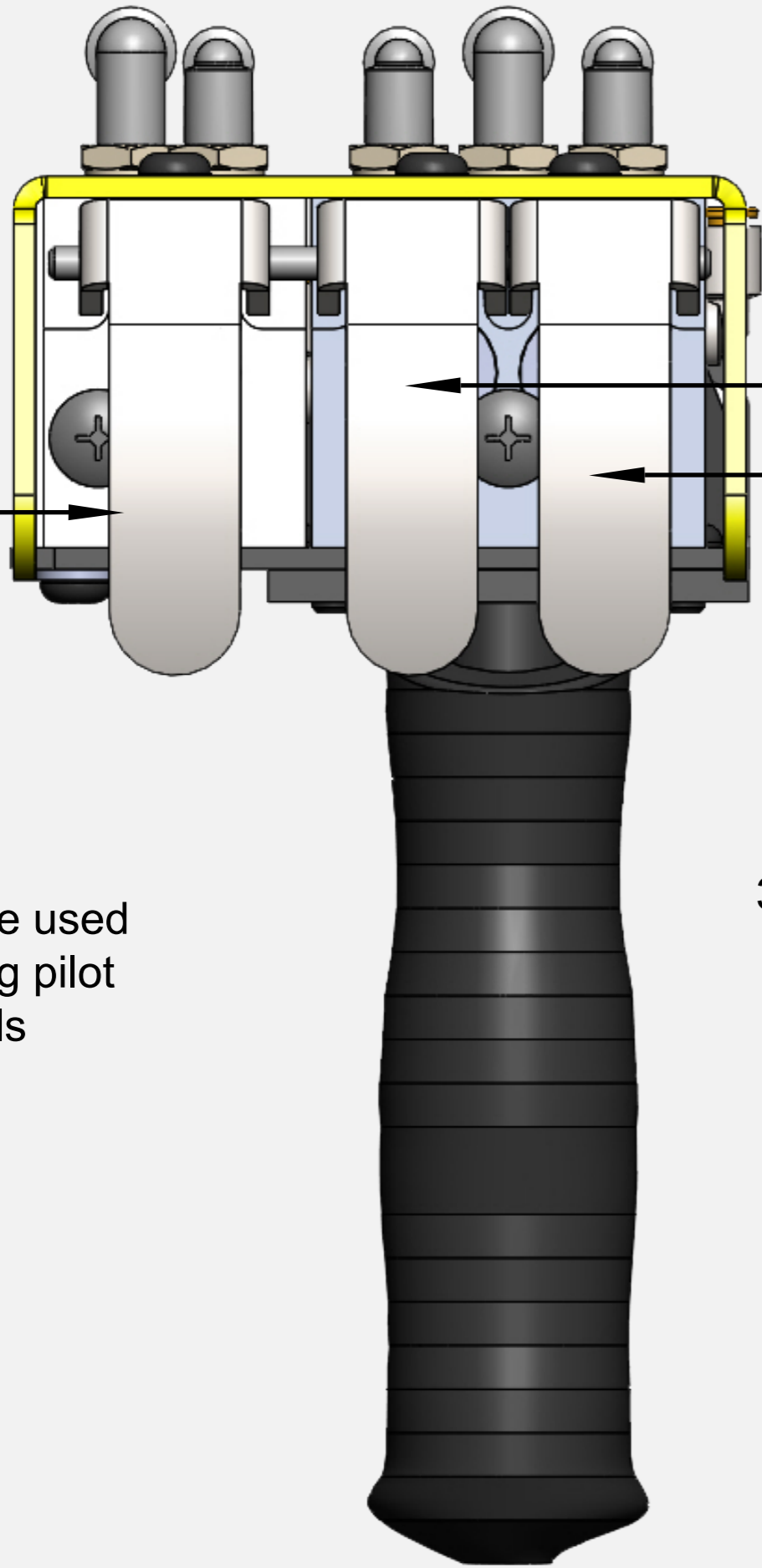
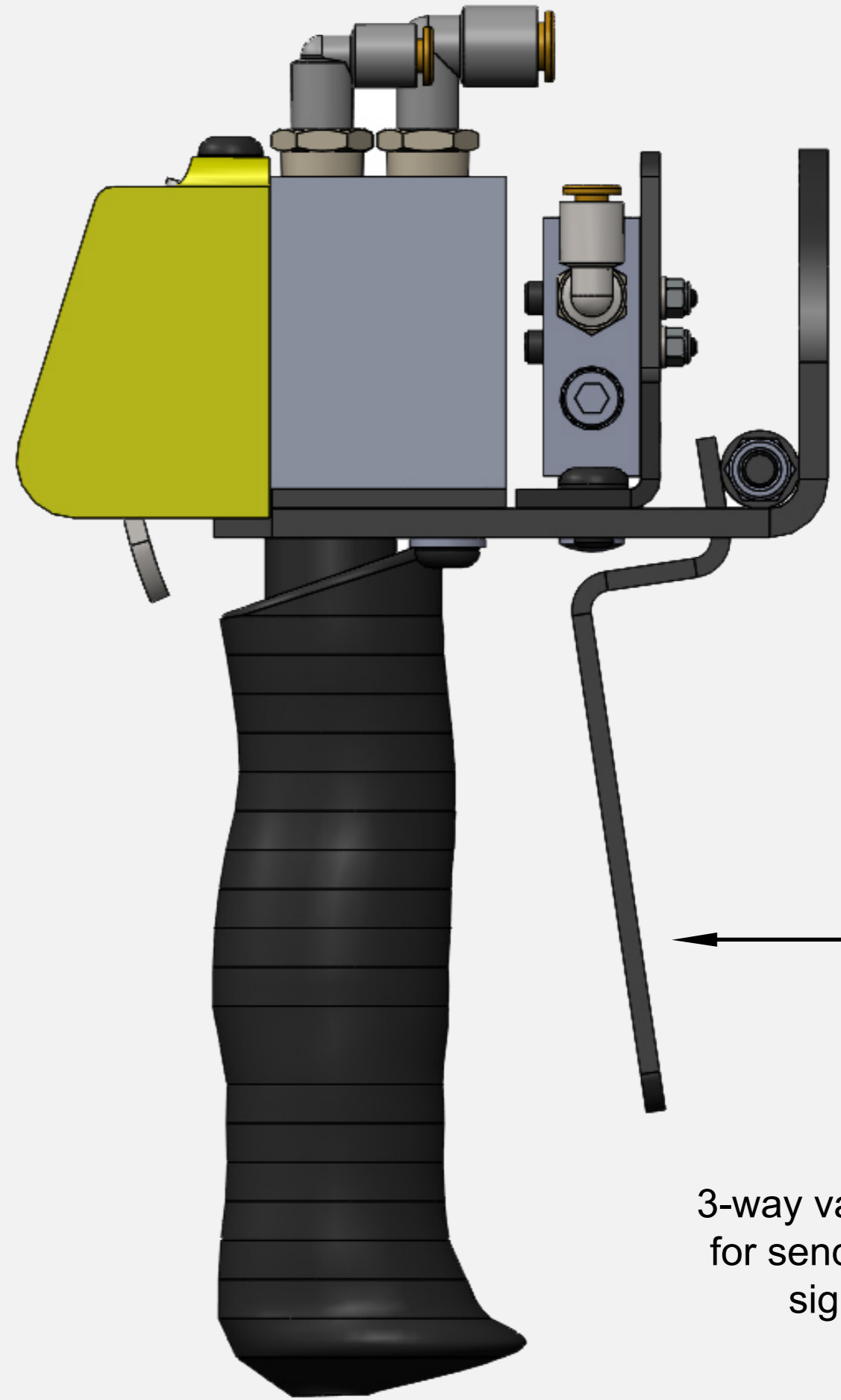


# BPTA9410 Series Pneumatic Control Handle with Pneumatic Trigger



3-way valve used for sending pilot signals

3-way valve used for sending pilot signals



3-way valve used for sending pilot signals