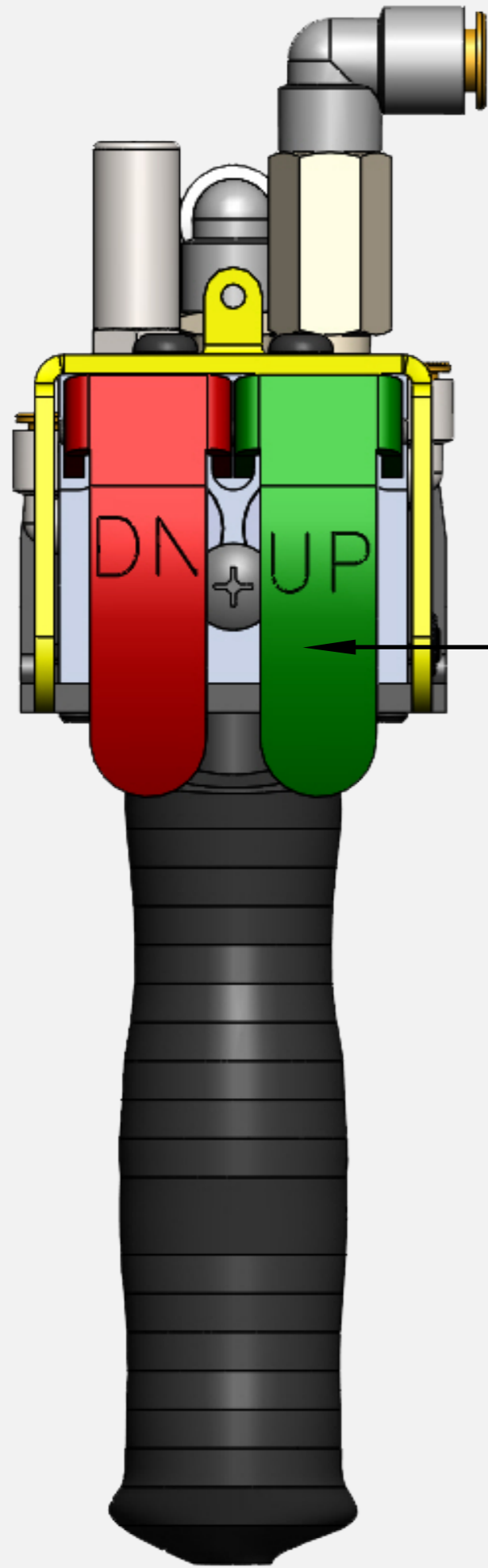
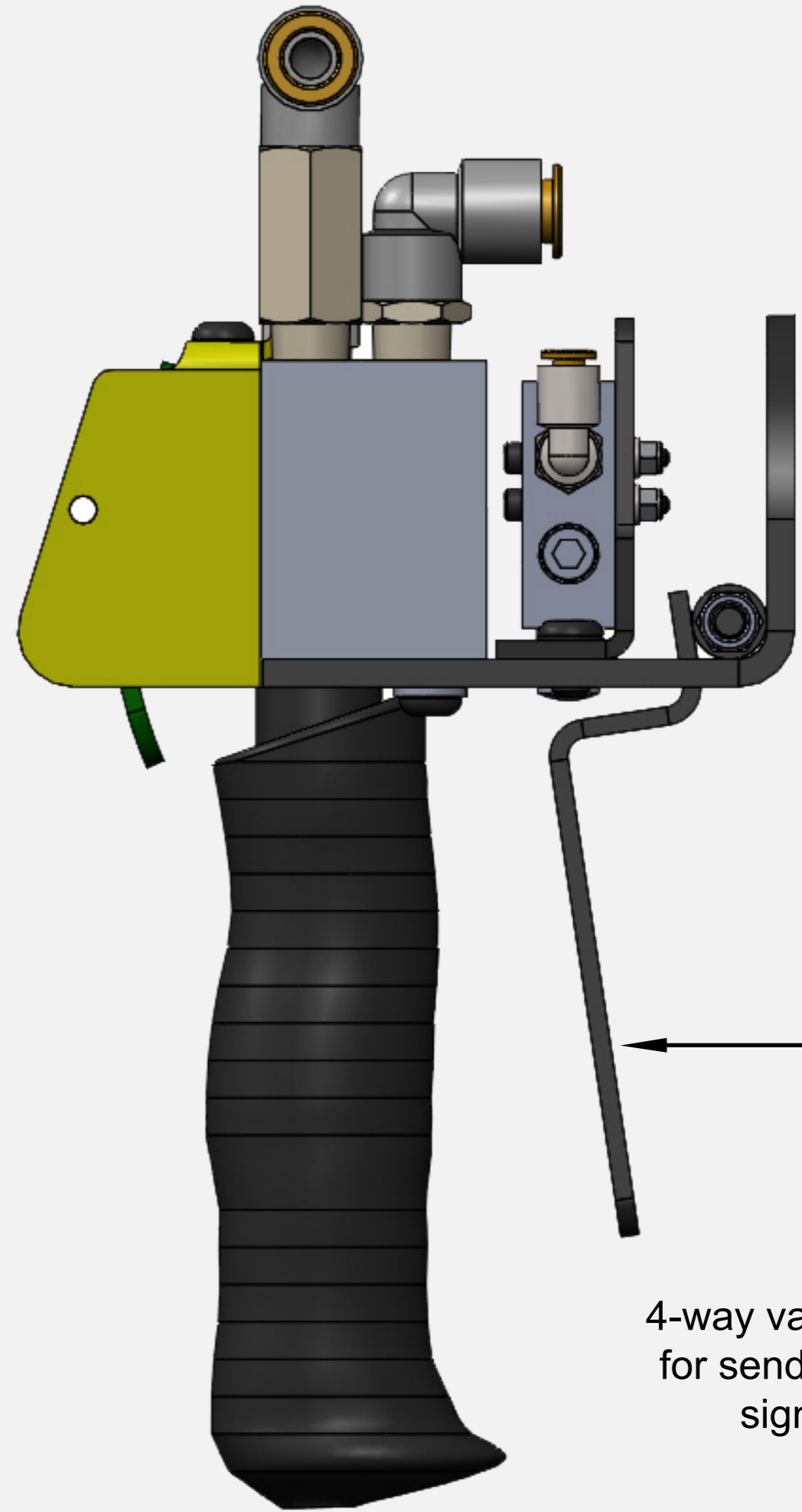


BPTA9300 Series Pneumatic Control Handle with Pneumatic Trigger



2-way valves used for only a single acting air balancer or lift assist used for UP/DOWN movement.



4-way valve used for sending pilot signals