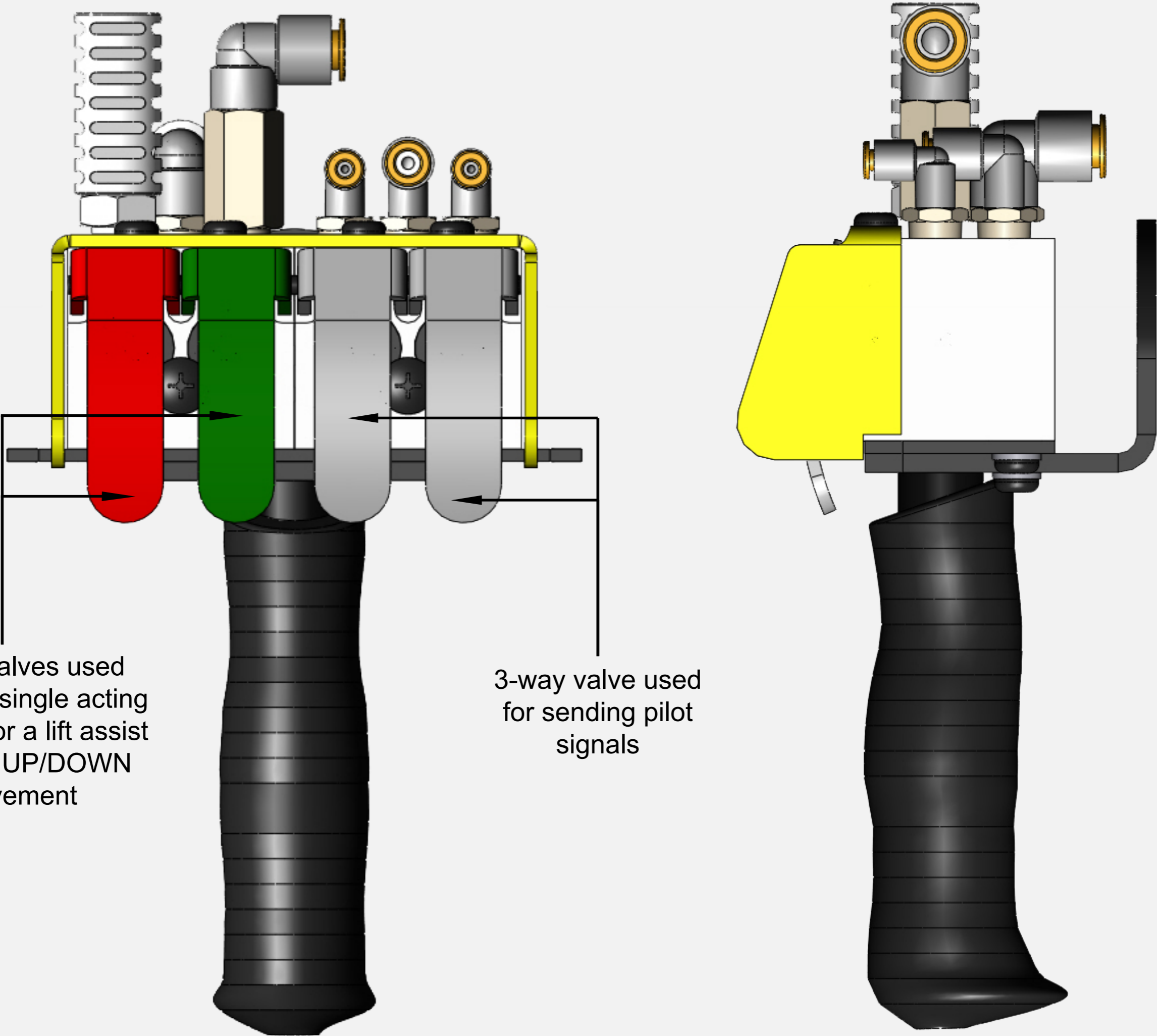


BPA9310 Series Pneumatic Control Handle



2-way valves used for only a single acting balancer or a lift assist used for UP/DOWN movement

3-way valve used for sending pilot signals