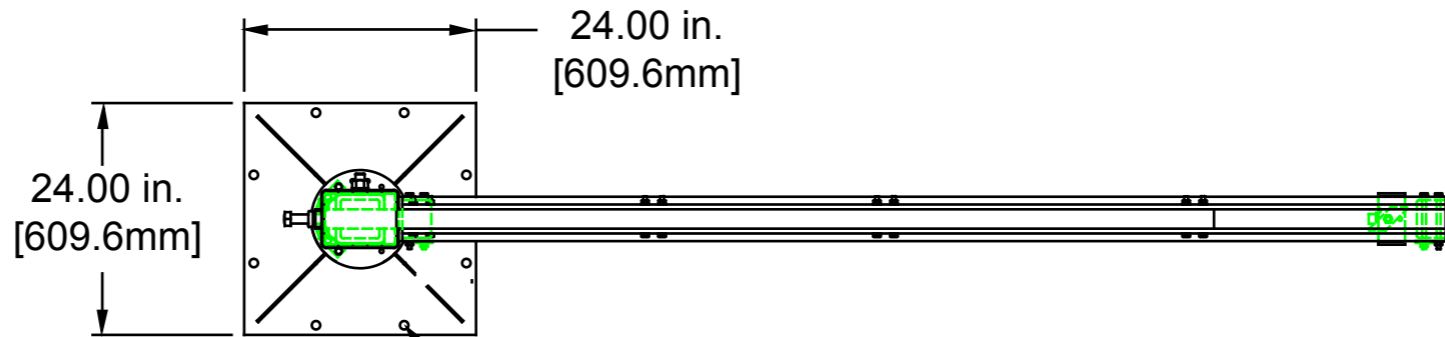
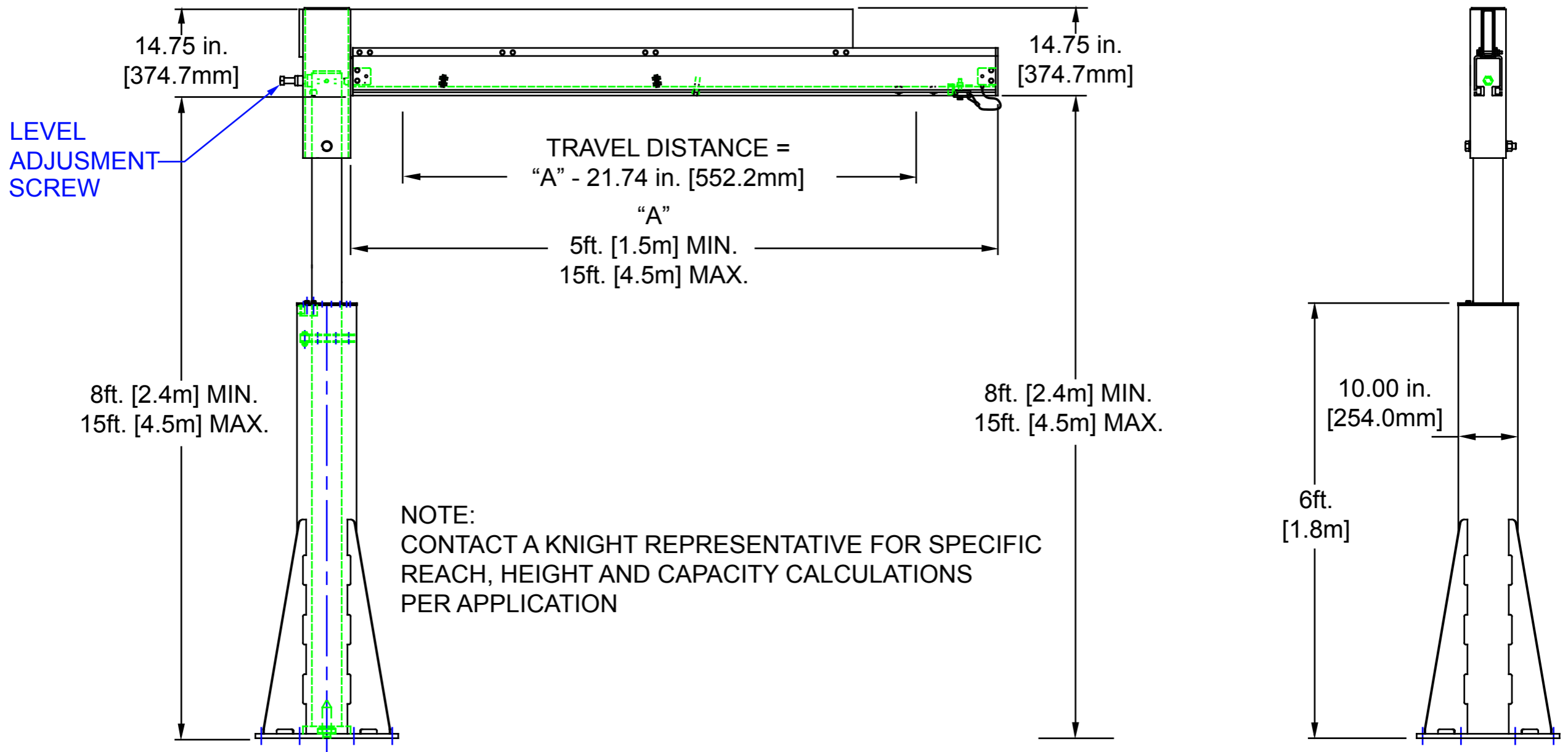


# MJBA2600 Light Duty Low Profile Jib Crane



CUSTOM ENGINEERED  
FLOOR MOUNTING  
OPTIONS ARE AVAILABLE

0.88 in. DIA [22.2mm]  
(8) PLACES  
(ANCHOR BOLTS NOT INCLUDED)



LEVEL  
ADJUSTMENT  
SCREW

TRAVEL DISTANCE =  
"A" - 21.74 in. [552.2mm]  
"A"  
5ft. [1.5m] MIN.  
15ft. [4.5m] MAX.

8ft. [2.4m] MIN.  
15ft. [4.5m] MAX.

8ft. [2.4m] MIN.  
15ft. [4.5m] MAX.

NOTE:  
CONTACT A KNIGHT REPRESENTATIVE FOR SPECIFIC  
REACH, HEIGHT AND CAPACITY CALCULATIONS  
PER APPLICATION

10.00 in.  
[254.0mm]  
6ft.  
[1.8m]