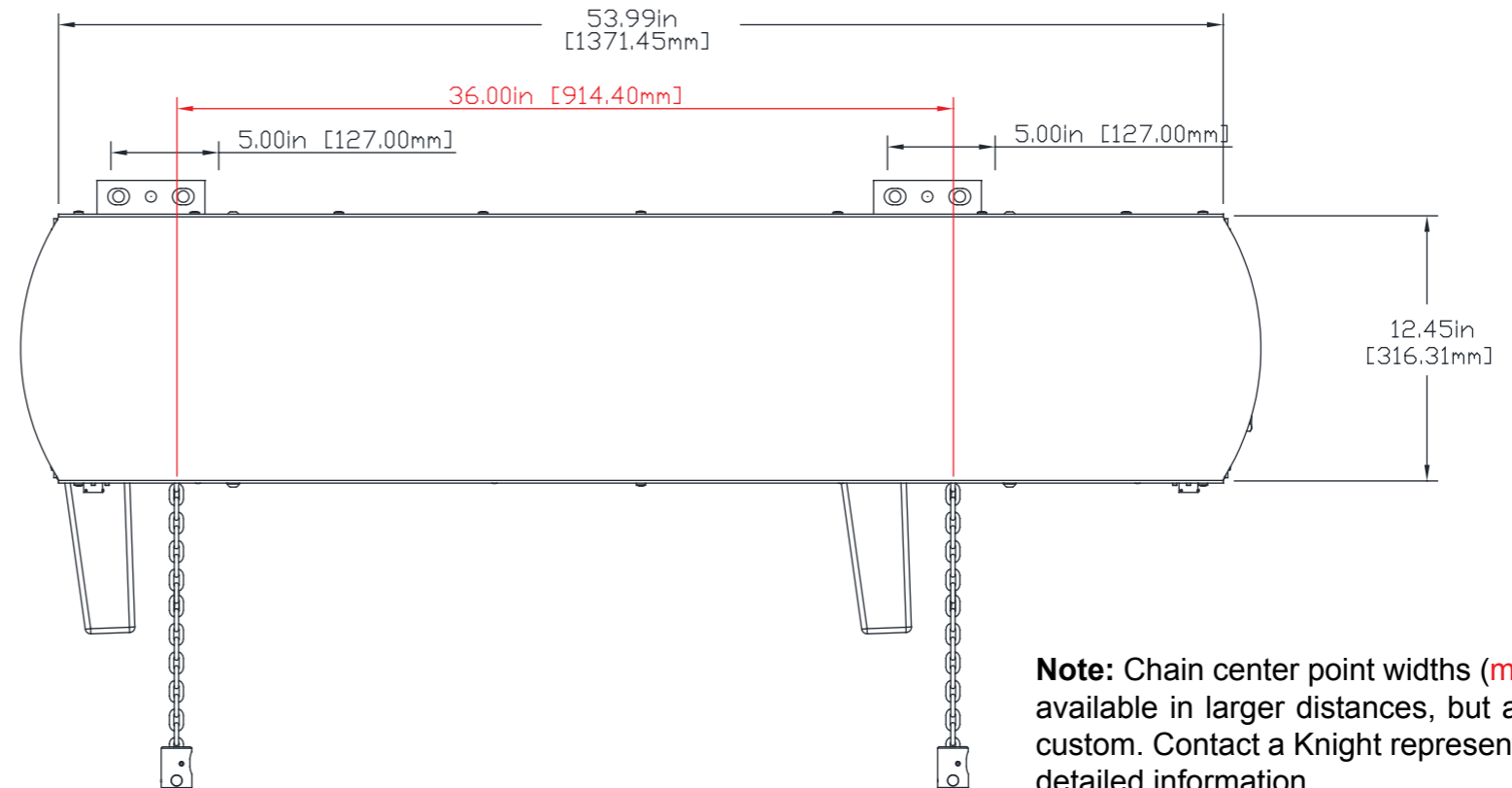
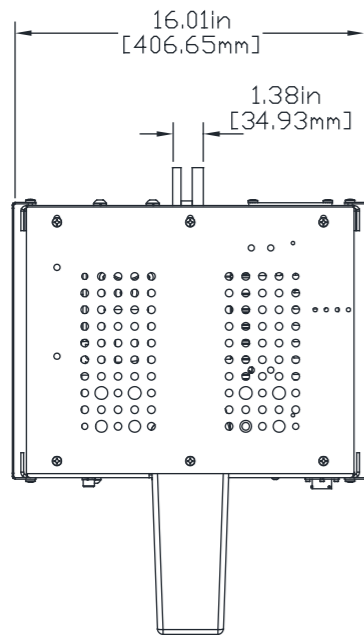
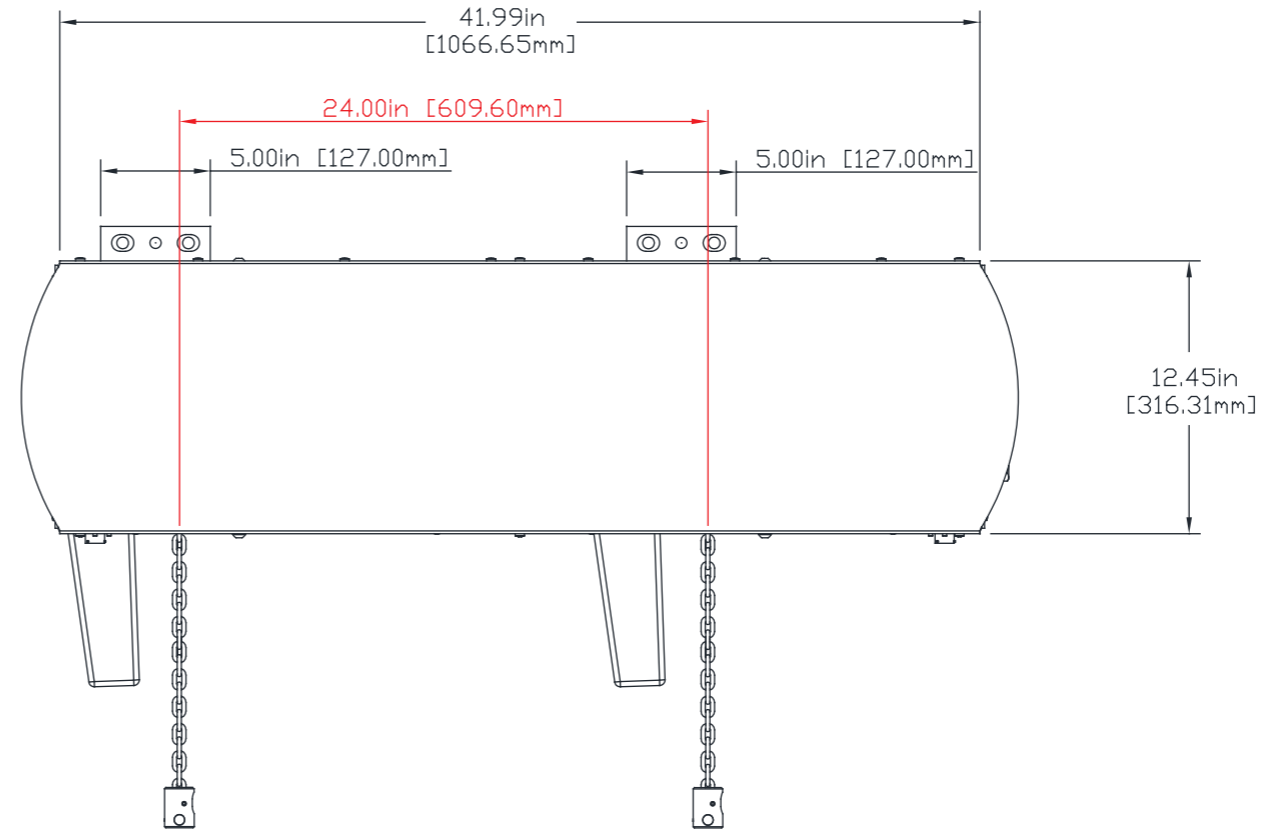
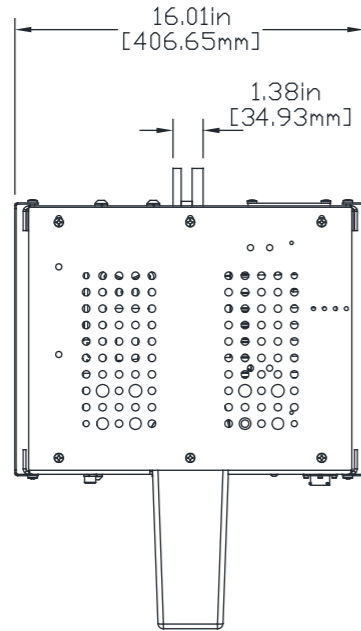


KSHDM Twin Chain Dual Motor Series Servo Hoist (SDS)



Note: Chain center point widths (marked red) are available in larger distances, but are considered custom. Contact a Knight representative for more detailed information.