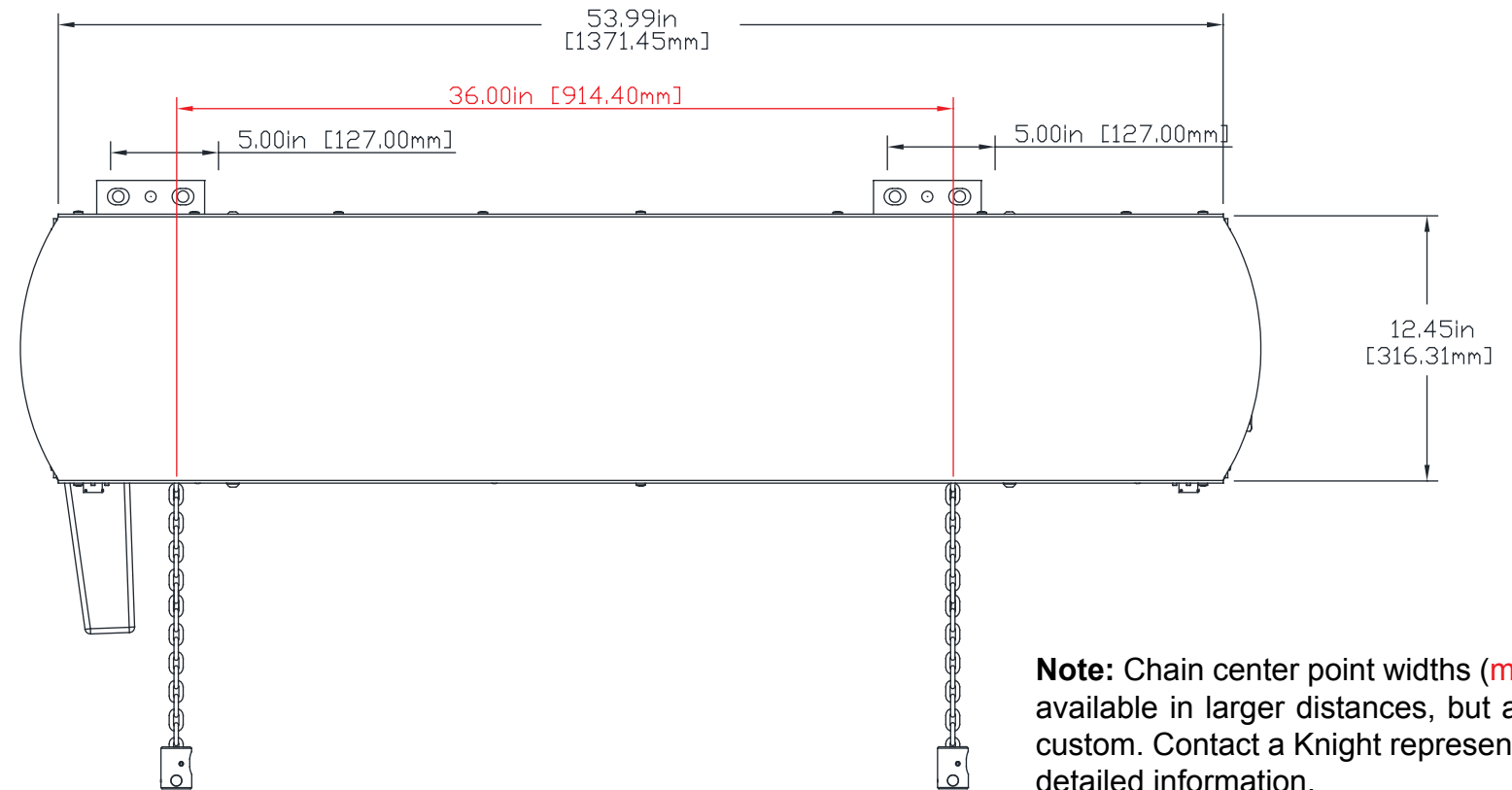
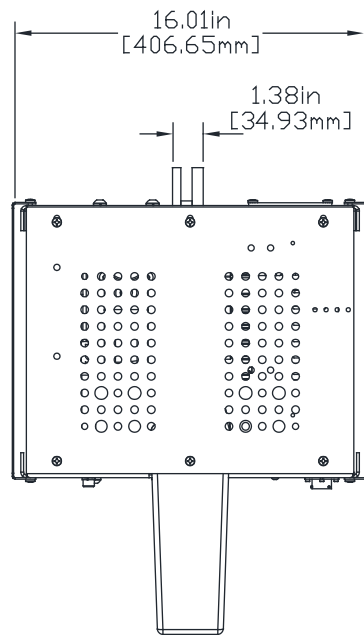
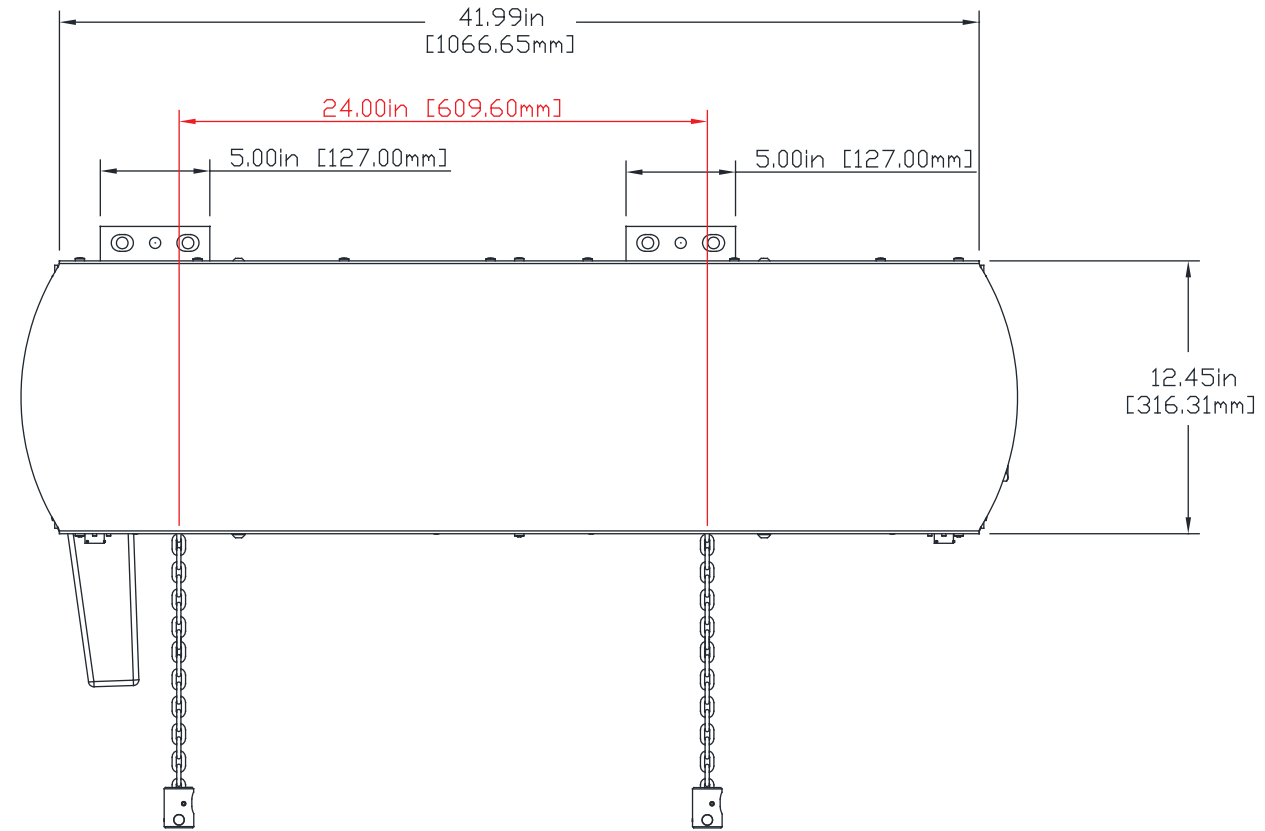
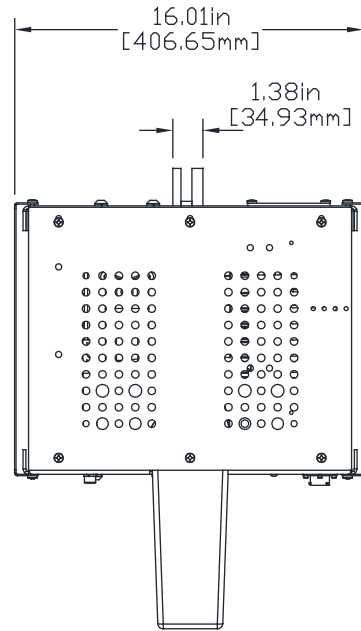


# KSHTC Twin Chain Series Servo Hoist



**Note:** Chain center point widths (marked red) are available in larger distances, but are considered custom. Contact a Knight representative for more detailed information.