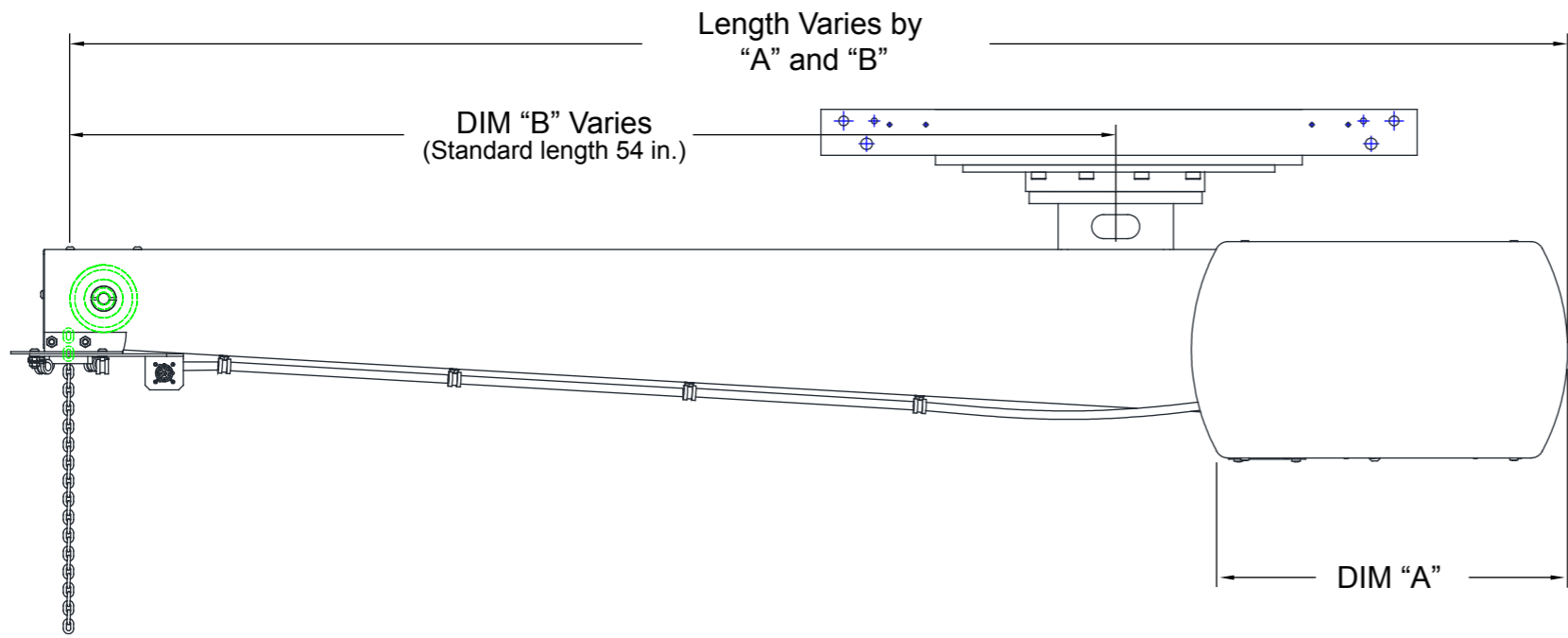
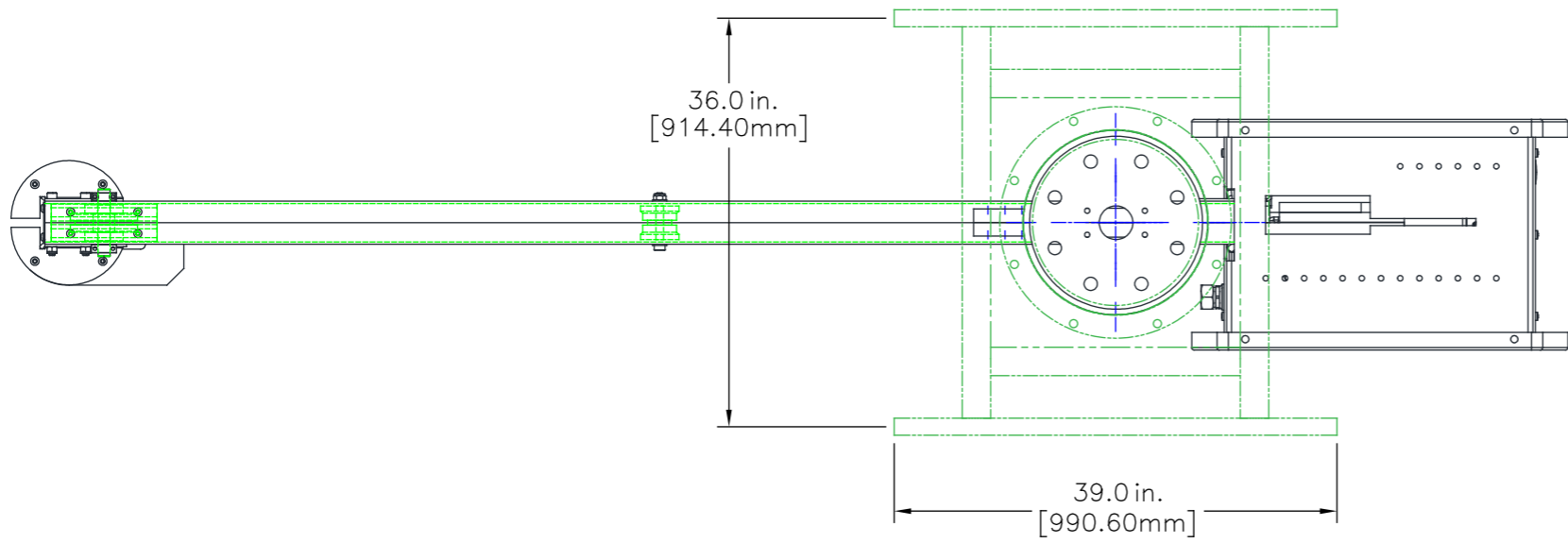


KSHEA Series Overhead Carriage Mounted Articulating Extension Servo Hoist Arm



Dimension "A" (Knight Servo Hoist)

- KSH250 - 19.73 in. [501mm]
- KSH350 - 21.38 in. [543mm]
- KSH750 - 21.38 in. [543mm]
- KSH1000 - 21.38 in [543mm]

Dimension "B" (Extension Boom)

- Standard length is 54 in. [1371mm].
- Smaller lengths are available and considered custom.