

Knight Global MJBA2300/ MJBA2600/ TJBA2600 Jib Crane

The upper column (Figure 1) and base assembly (Figure 2) are separate components and designed so the inner tube seats onto a rotating pin assembly located inside the outer post base (Figure 3). The upper column slides into the base assembly without any fastening or securing.

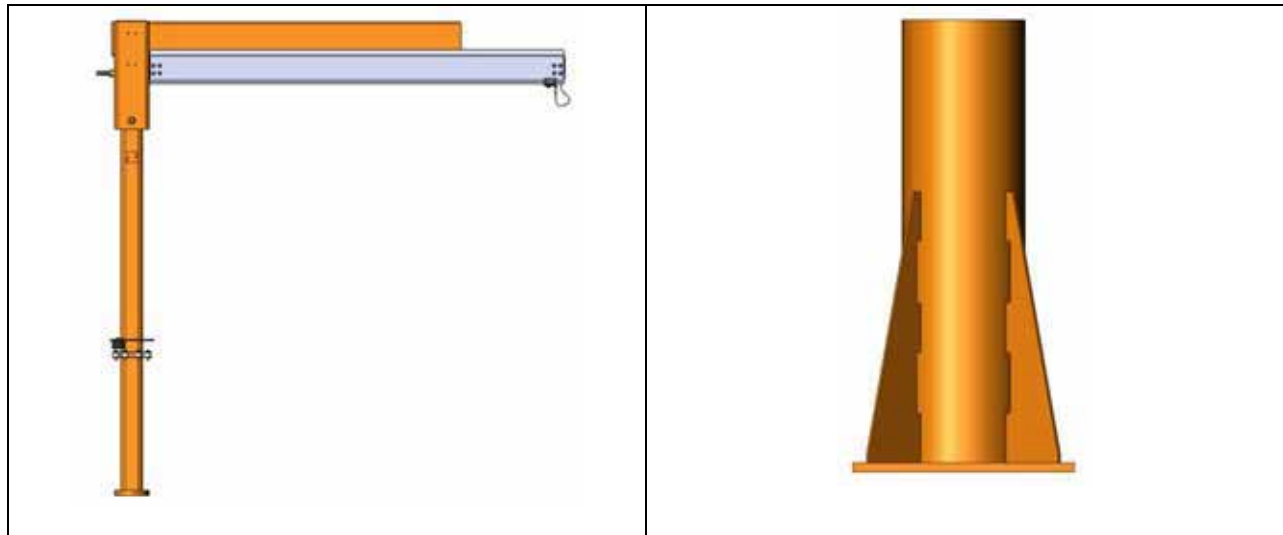


Figure 1 Upper Column Assembly

Figure 2 Base Assembly

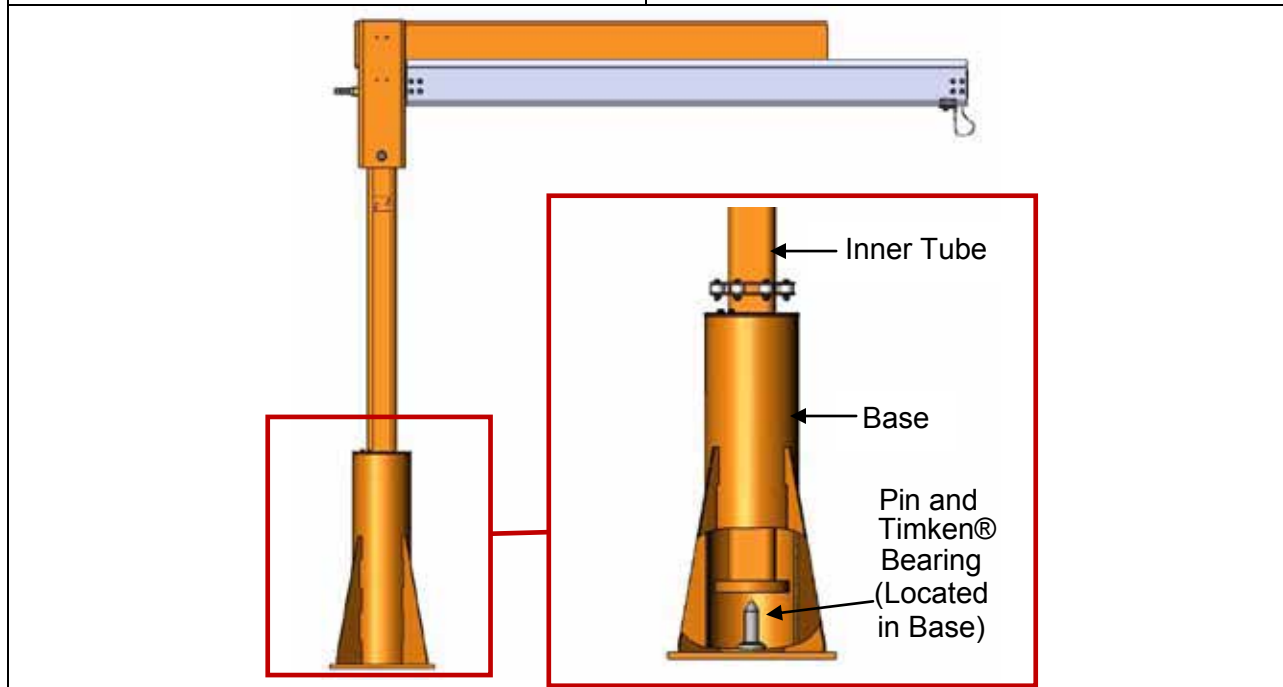


Figure 3 Inner Tube and Pin Installation