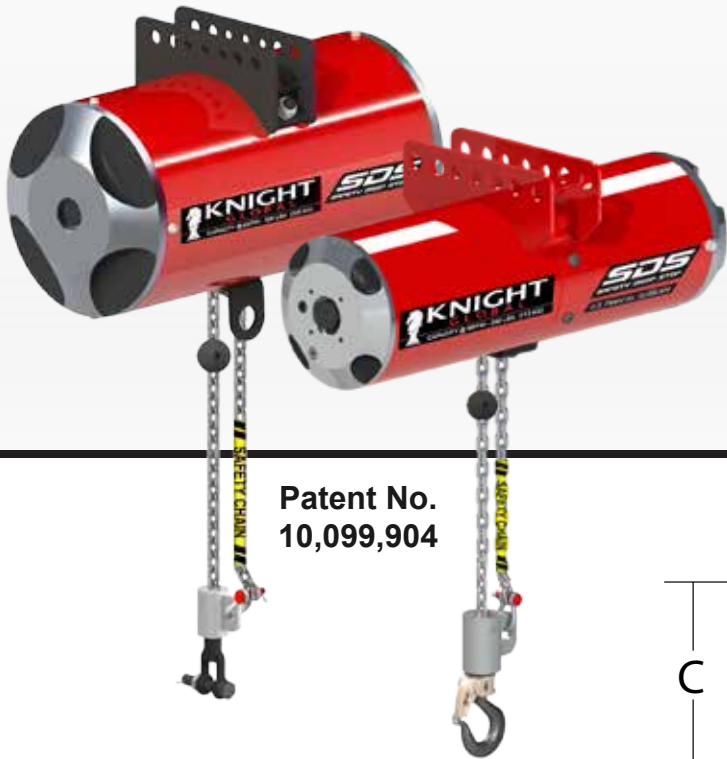




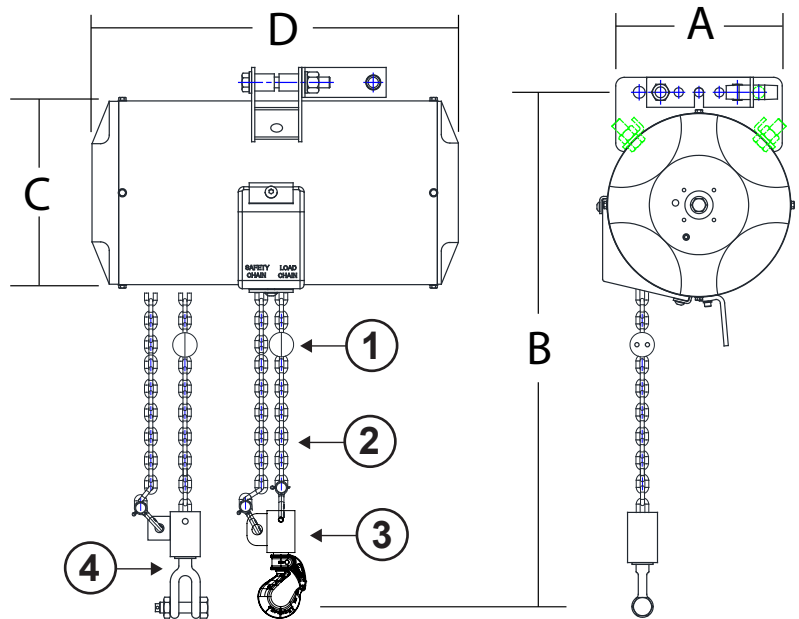
## KBC "SDS" Pneumatic Chain Balancer



Patent No.  
10,099,904

Knight Global's NEW Safety Drop Stop "SDS" Pneumatic Balancer is the safest balancer in the world. It is designed to prevent a hoisted load from dropping in the event that the primary chain fails. Knight's "SDS" Pneumatic Balancer prevents potential injuries to your operating personnel.

Balancers are used in applications where a "float" condition is beneficial. Float allows for the hands-free final positioning of an object. The up/ down speed of an air balancer is quicker when compared to a hoist and allows for a "feathering" operation when locating the load.



KBC "SDS" CHAIN SERIES SPARE PARTS			
DET	QTY	PART #	DESCRIPTION
4	1	BPA2410	SAFETY CHAIN SHACKLE
3	1	BPA2113	BALANCER HOOK
2	1		DUAL CHAIN KIT
1	1	BPA2009	TRAVEL LIMIT INDICATOR

### Formula for Air Balancer sizing:

Example: plant air 80 psi, 350 air balancer, 80% load capability (0.80 air supply x 350 lbs. = 280 x .80 = 224 lbs. load capability).

MODEL #	Rated at 100 PSI		TRAVEL in [mm]	(A) in [mm]	(B) (min.) in [mm]	(C) in [mm]	(D) in [mm]	UNIT WEIGHT lbs [kg]
	RATED CAPACITY lbs [kg]							
KBC250S-054	250 [113]		54 [1,371]	8 1/2 [215]	18 1/4 [463]	6 1/2 [165]	20 3/4 [527]	76.0 [34]
KBC500S-084	500 [227]		84 [2,133]	9 3/4 [248]	19 3/4 [502]	10 3/4 [273]	21 13/16 [554]	112.0 [51]
KBC700S-052	700 [318]		52 [1,321]	9 3/4 [248]	19 3/4 [502]	10 3/4 [273]	21 13/16 [554]	91.0 [41]

\*\* Knight recommends the use of high performance, extreme pressure, anti-wear food grade penetrating oil that penetrates and lubricates cable and all types of moving parts. (Lubriplate® 1241 Recommended)

For more information, please contact a Knight Global representative.

