

KBC Chain Air Balancer Series



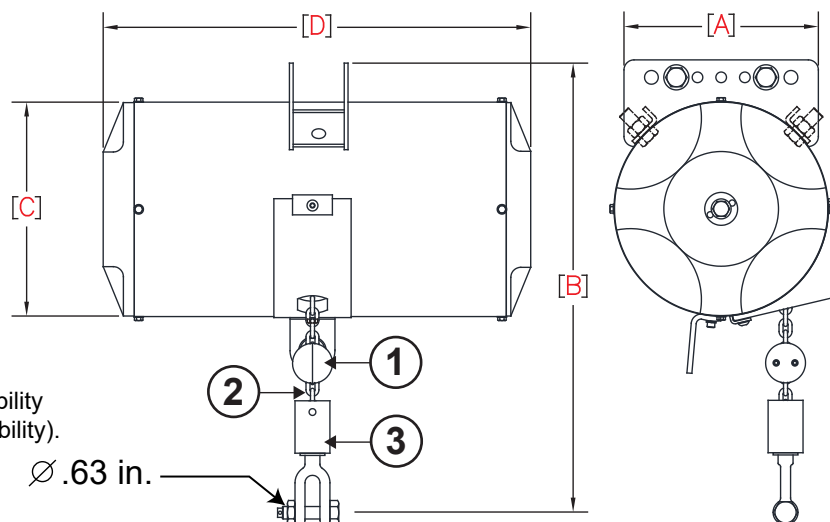
Air Balancers are used in applications where a "float" condition is beneficial. Float allows for the hands-free final positioning of an object. The up/down speed of an air balancer is quicker when compared to a hoist and allows for a "feathering" operation when locating the load. The pendant controls are ergonomically designed incorporating color coded thumb levers.

Chain air balancers are primarily designed for high cycle applications that are subject to excessive bouncing that could create premature wear or "birdcaging" of a cable. The chain is grade 80 alloy steel lifting chain, resistance welded, carburized and heat-treated, with zinc plated finish in accordance with ASTM B633-85.

KBC CHAIN SERIES SPARE PARTS			
DET	QTY	PART #	DESCRIPTION
3	1	BPA2410	SAFETY CHAIN SHACKLE
2	1	BPD1036	CHAIN
1	1	BPA2011	TRAVEL LIMIT INDICATOR

Formula for Air Balancer sizing:

Example: plant air 80 psi, 350 air balancer, 80% load capability
 (0.80 air supply x 350 lbs. = 280 x .80 = 224 lbs. load capability).



Rated at 100 PSI

MODEL #	RATED CAPACITY lbs [kg]	TRAVEL in [mm]	(A) in [mm]	(B) (min.) in [mm]	(C) in [mm]	(D) in [mm]	UNIT WEIGHT lbs [kg]
KBC150-070	150 [68]	70 [1,778]	8 1/2 [216]	16 1/2 [419]	6 1/2 [165]	15 1/2 [394]	50.0 [22.77]
KBC200-110	200 [91]	110 [2,794]	10 3/4 [273]	19 3/4 [502]	10 3/4 [273]	16 1/2 [419]	93.0 [42.18]
KBC225-067	225 [102]	67 [1,702]	8 3/4 [222]	18 1/2 [470]	8 3/4 [222]	16 3/4 [426]	63.0 [28.30]
KBC350-067	350 [159]	67 [1,702]	9 3/4 [248]	19 3/4 [502]	10 3/4 [273]	16 1/2 [419]	77.0 [35.11]
KBC500-080	500 [227]	80 [2,032]	9 3/4 [248]	19 3/4 [502]	10 3/4 [273]	21 13/16 [554]	117.0 [53.25]
KBC700-052	700 [318]	52 [1,321]	9 3/4 [248]	19 3/4 [502]	10 3/4 [273]	21 13/16 [554]	93.0 [42.09]

** Knight recommends the use of a high performance, extreme pressure, anti-wear food grade penetrating oil that penetrates and lubricates cable and all types of moving parts. (Lubri-Link-Green®)

