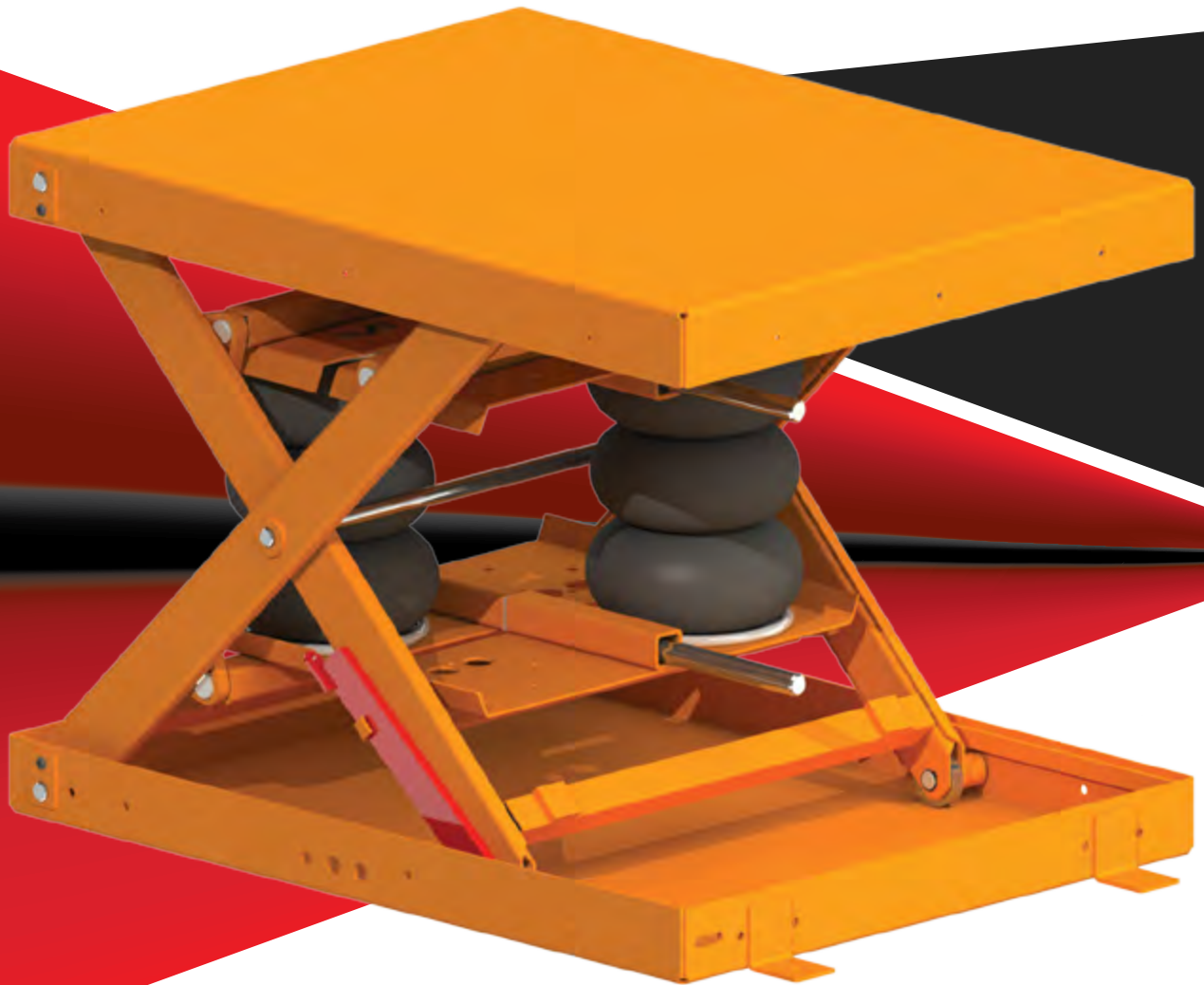




# KNIGHT

GLOBAL



Tables/  
Lift Platforms

## Introduction

Overview . . . . .	1
--------------------	---

## Lift Tables/Platforms

Lift Table . . . . .	2
Lift and Rotate Table . . . . .	3
Lift and Tilt Table . . . . .	4
Tilt Table . . . . .	5
Slide - Tilt Table . . . . .	6
Cart Lift . . . . .	7
Other Lift Tables/Platforms . . . . .	8
Accessories . . . . .	9

## Knight Global | Warranty Information

Knight warrants that its products and parts shall meet all applicable specifications, performance requirements, and be free from defects in material and workmanship for one year, (Servo Systems for two years, Pneumatic Lift Tables for 5 years), from the date of invoice, unless otherwise noted. One exclusion would include any purchased components not manufactured by Knight and their specific individual warranties. Paint defects, scratches and marring from shipping are also excluded.

This warranty shall not cover the failure or defective operation caused by inadequate training provided by customer regarding the operation and / or maintenance of the tool, misuse, negligence, misadjustment, or any alteration not approved by Knight. Knight's obligation is limited to the replacement or repair of Knight's products at a location designated by Knight. Buyer is responsible for all associated internal removal and re-installation costs as well as freight charges to and from Knight Industries. Knight's maximum liability shall not in any case exceed the contract price for the products claimed to be defective.

Knight warrants the Servo Hoist, Arms, and Tractors to be free from defects in material or workmanship for a period of two years or 6000 hours use from the date of shipment.

Knight Distributors/ Agents are not authorized to circumvent or change any of these terms and or conditions of this warranty unless prior approval is received in writing by Knight Global Management. Verbal statements made by Knight Distributors/ Agents do not constitute warranties.

On a design and build job, the customer is the owner of the equipment once they authorize shipment. The purchased equipment can not be returned for reimbursement or credit.

Disclaimers: OTHER THAN AS SET FORTH HEREIN, NO OTHER EXPRESSED WARRANTIES, AND NO IMPLIED WARRANTIES, ORAL AND WRITTEN, INCLUDING BUT NOT LIMITED TO THE WARRANTIES OF MERCHANTABILITY OR FITNESS FOR A PARTICULAR PURPOSE ARE MADE BY KNIGHT WITH RESPECT TO ITS PRODUCTS AND ALL SUCH WARRANTIES ARE HEREBY SPECIFICALLY DISCLAIMED. KNIGHT GLOBAL SHALL NOT BE LIABLE UNDER ANY CIRCUMSTANCES FOR ANY INCIDENTAL, SPECIAL AND / OR CONSEQUENTIAL DAMAGES WHATSOEVER, WHETHER OR NOT FORESEEABLE, INCLUDING BUT NOT LIMITED TO ANY AND ALL DAMAGES FOR LOST PROFITS AND ALL SUCH INCIDENTAL, SPECIAL AND/ OR CONSEQUENTIAL DAMAGES ARE HEREBY ALSO SPECIFICALLY DISCLAIMED.

We are committed to  
**Total Customer Satisfaction**  
through  
QUALITY, RELIABILITY and  
EMPLOYEE INVOLVEMENT.

# Overview

## Knight Lift Tables / Platforms

Knight Global Tables are ergonomically designed for easy loading and unloading of materials. Lift Tables are available in various styles, lift capacities and controls that will accommodate the needs of the application that your company is looking for. Lift tables incorporate the use of pneumatic control technologies, which makes the table operation cleaner, simplifies spare parts inventories and reduces general maintenance. Our exclusive Knight Global air bag design offers high durability and resistance to wear.



Lift Table



Lift and Rotate Table

Maintenance Lock-Out Bars are standard on all tables. All tables are inspected and tested before they leave our facility.

## Features

- Lift, Lift and Rotate, Tilt, Lift and Tilt, Corner Tilt, Slide Tilt, Double Scissor Lift, Load Sensor, Zero Load Zero Lift and Turntable Configurations Available.
- Steel Construction.
- Maintenance Lock-Out Bars.
- Stainless Steel Hydraulic Hosing.
- Heavy Duty Pneumatic Air Bags.
- Manual Pedestal or Foot Control.
- Bolt-on Hand Control.
- Maximum Capacity: Up to **8,000 lbs [3629kg]**.

## Options

- Steel Risers.
- Pit Mounted (Angled Toe Guards, External Mounted Pit Guards or Auto Safety Bars are required).
- Corner Gusset Tabs (No Extra Charge).
- Ratchet Safety Stops.
- Bellows Skirting.

**Note:** Table and Lift Platforms are available with a variety of accessories, safety features and equipment. Optional Safety Equipment including but not limited to; perimeter fence guarding, bellows skirting, safety mats, audible signals, light signals, toe guards, special control guarding, etc. are not included unless otherwise stated in the product descriptions. Please check with your state, local or plant safety for requirements. Please contact your local Knight Global representative for more detailed information. Knight Global will be happy to quote any and all safety equipment needed to meet your requirements.

# Lift Table

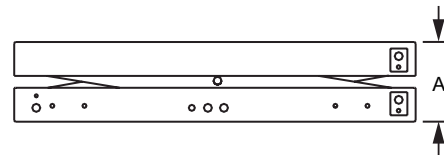
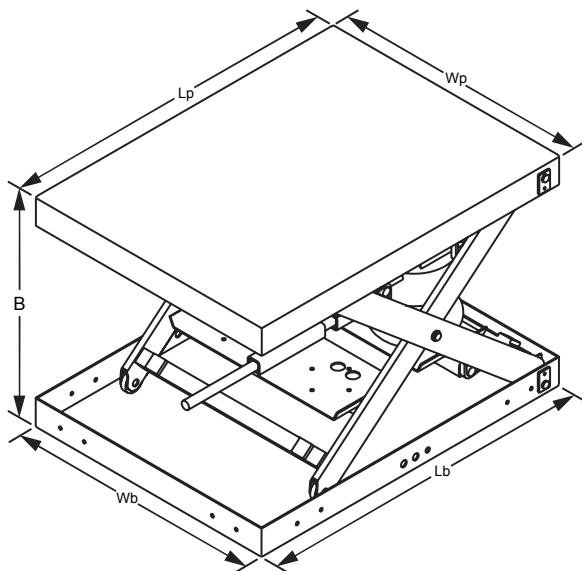
## Knight Lift Table

Knight Lift Tables raise loads to the proper ergonomic heights for the operator for a safe and efficient workplace. Lift Tables reduce time lost to personnel injuries and helps increase productivity.

Polished chrome shafts are used at all slide and pivot points to minimize the wear and prolong component life. This lift table can be designed to fit a multitude of applications. Contact a Knight representative for more information



### LIFT TABLE SPECIFICATIONS



Model	Capacity Lbs [ kg ]	Closed ( A ) in [ mm ]	Extended ( B ) in [ mm ]	Base Size ( Wb x Lb ) in [ mm ]	Platform Size ( Wp x Lp ) in [ mm ]
L3636-2000	2000 [ 907 ]	10 [ 254 ]	24 [ 588 ]	28 x 36 [ 711 x 914 ]	28 x 36 [ 711 x 914 ] to 36 x 36 [ 914 x 914 ]
L4860-2000	2000 [ 907 ]		37 [ 940 ]	28 x 50 [ 711 x 1270 ]	28 x 50 [ 711 x 1270 ] to 48 x 60 [ 1219 x 1524 ]
L4860-4000	4000 [ 1814 ]			38 x 50 [ 965 x 1270 ]	38 x 50 [ 965 x 1270 ]
L4860-8000	8000 [ 3629 ]				
L5684-4000	4000 [ 1814 ]	11 [ 279 ]	45 [ 1143 ]	42 x 62 [ 1067 x 1575 ]	42 x 62 [ 1067 x 1575 ] to 56 x 84 [ 1422 x 2134 ]
L5684-6000	6000 [ 2722 ]				

# Lift and Rotate Table

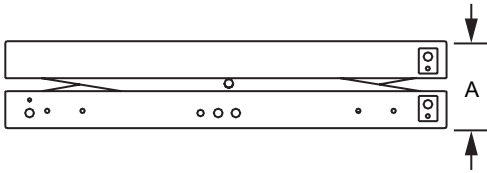


## Knight Lift and Rotate Table

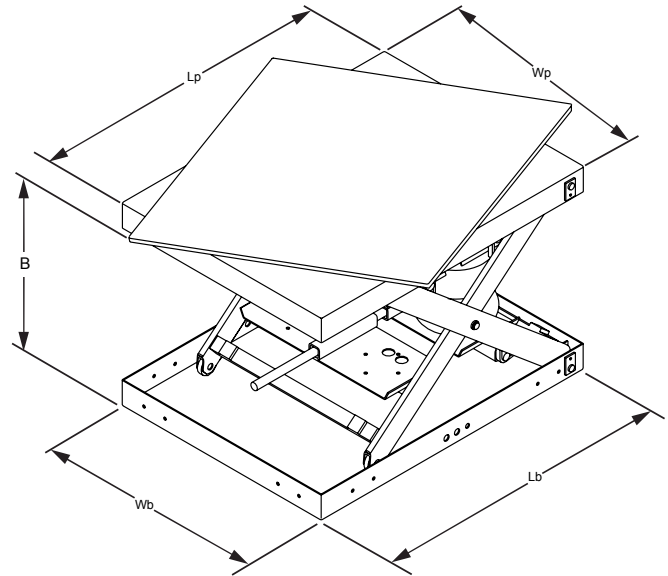
Knight Lift and Rotate Tables raise and rotate loads to the proper ergonomic heights for the operator and provide up to 360° of rotation. Lift and Rotate Tables reduce time lost to personnel injuries and helps increase productivity.

Knight Rotate Tables are available with our exclusive yoke supported bearings or a maintenance free 20,000 lbs. [9,072kg] capacity mechanical thrust bearing. Polished chrome shafts are used at all slide and pivot points to minimize the wear and prolong component life.

## LIFT AND ROTATE TABLE SPECIFICATIONS



Model	Capacity Lbs [ kg ]	Closed ( A ) in [ mm ]	Rotation	Extended ( B ) in [ mm ]	Base Size ( Wb x Lb ) in [ mm ]	Platform Size ( Wp x Lp ) in [ mm ]
LR4860C-2000	2,000 [ 907 ]	12 [ 305 ]	360°	26.5 [ 673 ]	28 x 50 [ 711 x 1270 ]	43 x 43 [ 1092 x 1092 ] to 48 x 60 [ 1219 x 1524 ]
LR4860C-4000	4,000 [ 1,814 ]	13 [ 330 ]		40 [ 1,016 ]	38 x 50 [ 965 x 1270 ]	36 x 50 [ 965 x 1270 ] to 48 x 60 [ 1219 x 1524 ]
LR4860R-4000				48 [ 1,219 ]	42 x 62 [ 1067 x 1575 ]	42 x 62 [ 1067 x 1575 ] to 56 x 84 [ 1422 x 2134 ]
LR4860R-8000	8,000 [ 3629 ]	14 [ 356 ]		42 x 62 [ 1067 x 1575 ]	42 x 62 [ 1067 x 1575 ]	42 x 62 [ 1067 x 1575 ] to 56 x 84 [ 1422 x 2134 ]
LR5684R-4000	4,000 [ 1,814 ]			42 x 62 [ 1067 x 1575 ]	42 x 62 [ 1067 x 1575 ]	42 x 62 [ 1067 x 1575 ] to 56 x 84 [ 1422 x 2134 ]
LR5684R-6000	6,000 [ 2,722 ]			42 x 62 [ 1067 x 1575 ]	42 x 62 [ 1067 x 1575 ]	42 x 62 [ 1067 x 1575 ] to 56 x 84 [ 1422 x 2134 ]





# Tilt Table

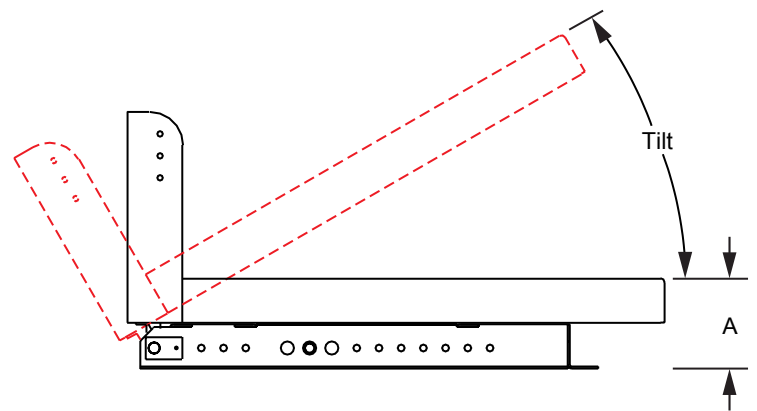
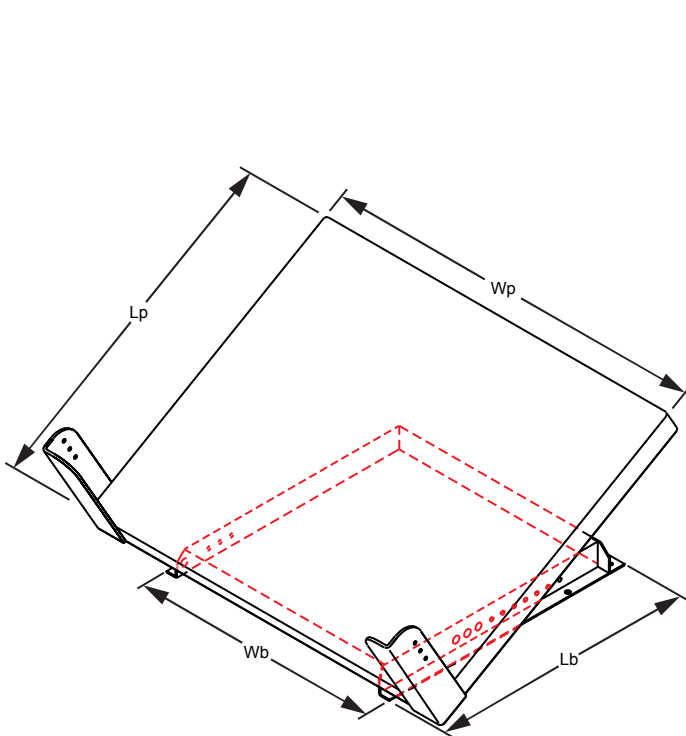
## Knight Tilt Table

Knight Tilt Tables tilt dunnage for easy loading or unloading, this feature makes for a safe and efficient workplace. Tilt Tables reduce time lost to personnel injuries and helps increase productivity. Cart Lifts provide additional vertical travel distance in small footprint areas over typical scissor lifts.

Polished chrome shafts are used at all slide and pivot points to minimize the wear and prolong component life. Knight's Tilt Table can be designed to fit a multitude of applications. Contact a Knight representative for more information.



## TILT TABLE SPECIFICATIONS



Part Number	Capacity Lbs. [ kg. ]	Tilt	Closed ( A ) in. [ mm. ]	Base Size ( Wb x Lb ) in. [ mm. ]	Platform Size ( Wp x Lp ) in. [ mm. ]
T4860-4000	4,000 [ 1,814 ]	0°-40°	8.5 [ 216 ]	Proportional to Platform	60 x 48 [ 1,524 x 1,219 ] to 84 x 56 [ 2,134 x 1,422 ]
T4860-8000	8,000 [ 3,629 ]				
T5684-4000	4,000 [ 1,814 ]				
T5684-8000	8,000 [ 3,629 ]				

# Lift and Tilt Table

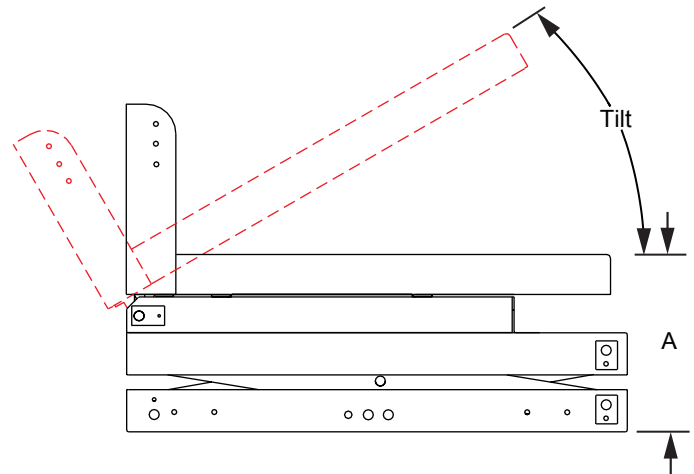
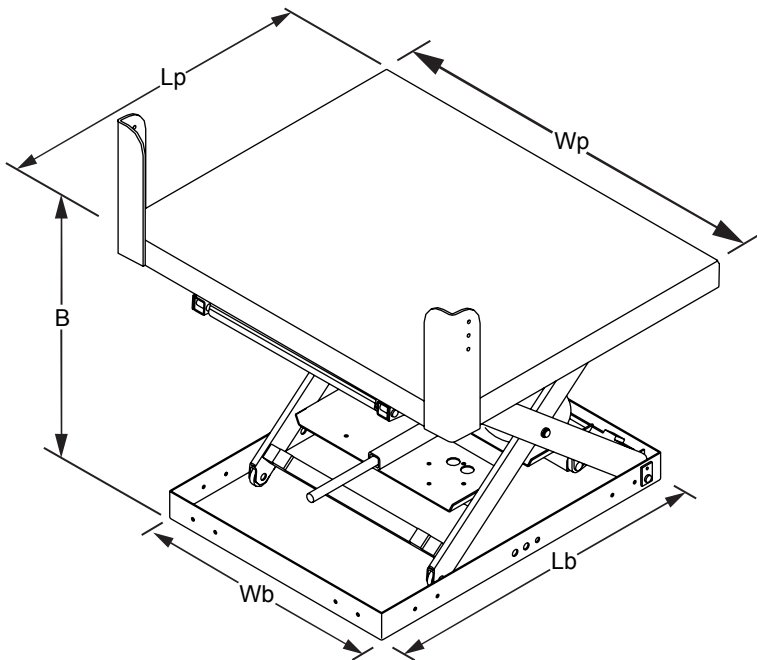


## Knight Lift and Tilt Table

Knight Lift and Tilt Tables give the operator twice the ergonomic benefit by lifting and tilting loads to precise heights and angles, this also creates a safe and efficient workplace. Lift and Tilt Tables reduce time lost to personnel injuries and helps increase productivity.

Polished chrome shafts are used at all slide and pivot points to minimize the wear and prolong component life. This lift table can be designed to fit a multitude of applications. Contact a Knight representative for more information.

## LIFT AND TILT TABLE SPECIFICATIONS



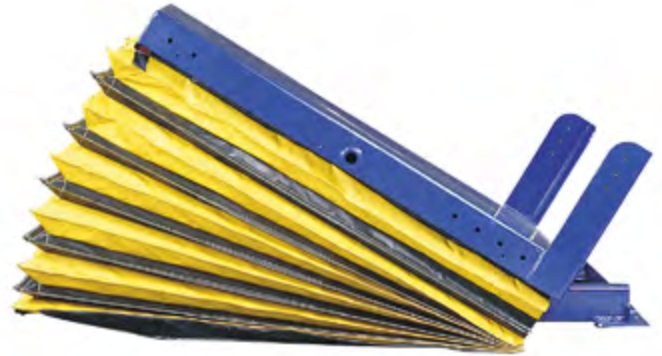
Model	Capacity Lbs [ kg ]	Closed ( A ) in [ mm ]	Extended ( B ) in [ mm ]	Tilt	Base Size ( Wb x Lb ) in [ mm ]	Platform Size ( Wp x Lp ) in [ mm ]
LT4860-4000	4,000 [ 1,814 ]	16 [ 406 ]	40 [ 1,016 ]	0°-40°	38 x 50 [ 965 x 1,270 ]	38 x 50 [ 965 x 1,270 ]
LT4860-6000	6,000 [ 2,722 ]					to 60 x 48 [ 1,524 x 1,219 ]
LT5684-4000	4,000 [ 1,814 ]	17.25 [ 438 ]	50 [ 1,270 ]		42 x 62 [ 1,067 x 1,575 ]	42 x 62 [ 1,066 x 1,575 ]
LT5684-6000	6,000 [ 2,722 ]					to 84 x 56 [ 2,134 x 1,422 ]

# Slide - Tilt Table

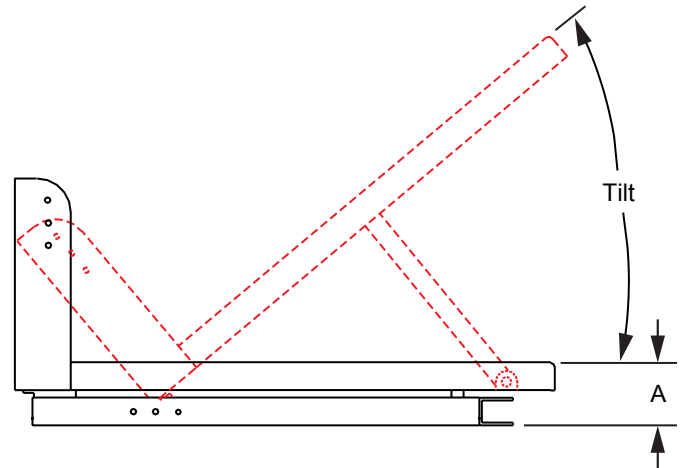
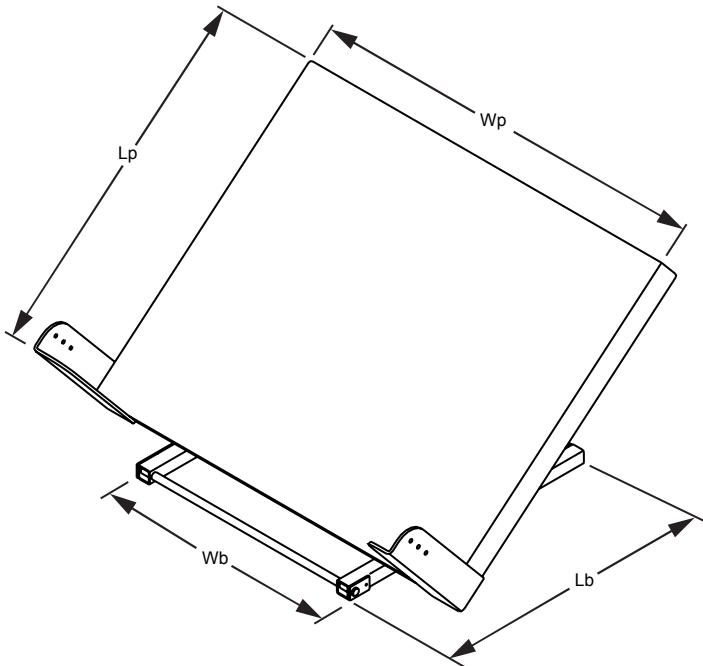
## Knight Slide - Tilt Table

Knight Slide - Tilt Tables maintain clearance on the unload side of the table with our patented slide and tilt motion, this also creates a safe and efficient workplace. Slide - Tilt Tables reduce time lost to personnel injuries and helps increase productivity.

Polished chrome shafts are used at all slide and pivot points to minimize the wear and prolong component life. This lift table can be designed to fit a multitude of applications. Contact a Knight representative for more information.



### SLIDE - TILT TABLE SPECIFICATIONS



Part Number	Capacity Lbs. [ kg. ]	Tilt	Height ( A ) in. [ mm. ]	Platform Size ( Wp x Lp ) in. [ mm. ]	Base Size ( Wb x Lb ) in. [ mm. ]
ST5560-4000	4,000 [ 1,814 ]	0°-40	10 [ 254 ]	36 x 55 [ 914 x 1,397 ] to 60 x 55 [ 1,524 x 1,397 ]	Proportional to Platform
ST556G-8000	8,000 [ 3,629 ]			36 x 55 [ 914 x 1,397 ] to 60 x 55 [ 1,524 x 1,397 ]	
ST5684-4000	4,000 [ 1,814 ]			60 x 55 [ 1,524 x 1,397 ] to 84 x 56 [ 2,134 x 1,422 ]	
ST5684-8000	8,000 [ 3,629 ]			60 x 55 [ 1,524 x 1,397 ] to 84 x 56 [ 2,134 x 1,422 ]	





## Knight Cart Lift

Knight's Cart Lift is an air cylinder actuated fork-free lift that raises carts to the operators working level for a safe and efficient workplace. They provide additional vertical travel distance in small footprint areas over typical scissor lifts.

## Features and Options

- Ground Level Loading Height.
- Front or Side Load Configurations.
- Floor Mounted or Portable units available.
- Hand Control mounted on either side of the unit
- Right, Left or Center lift fork configurations available for the unit.
- Pedestal or Foot Control.

## HYDRAULIC CART LIFT

Knight's Hydraulic Cart Lift is a fork-free lift that raises carts to the operators working level for a safe and efficient workplace. Cart Lifts provide additional vertical travel distance in small footprint areas over typical scissor lifts.

## Features and Options

- Ground Level Loading Height.
- Front or Side Load Configurations.
- Floor Mounted or Portable units available.
- Pneumatic or Electric power controls for hydraulics.
- Hand Held Push Button.
- Pedestal or Foot Control.



# Other Lift Tables / Platforms



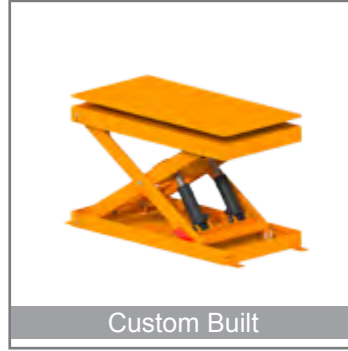
**Corner Tilt**

Corner tilt table, tilts and positions a pallet or basket to the operators working level. Lifting capacity up to 4,000. [1,814kg].



**Load Sensor Lift**

Maintains loads at a safe ergonomic working height during varying weight load exchanges. Capacity up to 4,500 lbs. [2,041kg].



Custom Built

**Air / Hydraulic / Electric Lift and Rotate**

Air or electric operated for the applications that need the rigid actuation that hydraulic provides.



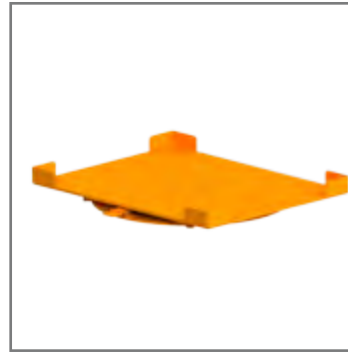
**Portable Lift Table**

Custom portable lift table is mounted to a cart for mobile use. Deck size and lift height will be customized to your application. Capacities vary by application.



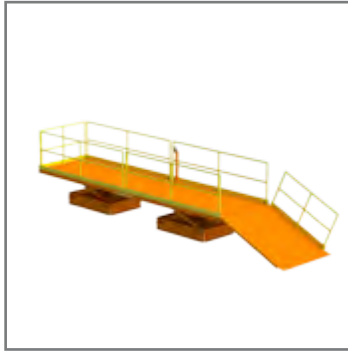
**Double Scissor Lift**

When extra lift is needed to raise loads to a higher and safe ergonomic height. Capacity up to 2,000 lbs. [904kg].



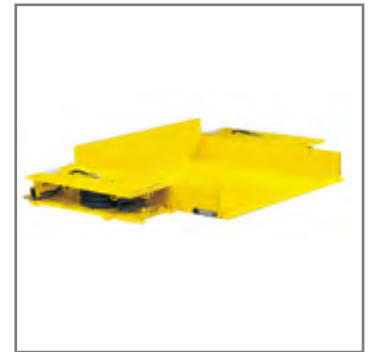
**Turntables**

Supplies loads continuously to an assembly station with one, two or four position configurations. Capacity up to 8,000 lbs. [3,629kg].



**Platform Lift**

Platform lifts the position of the operator in an ergonomic manner within a workstation. Pneumatic or hydraulic lifts available. Capacity up to 2,000 lbs. [904kg].



**Zero Loader**

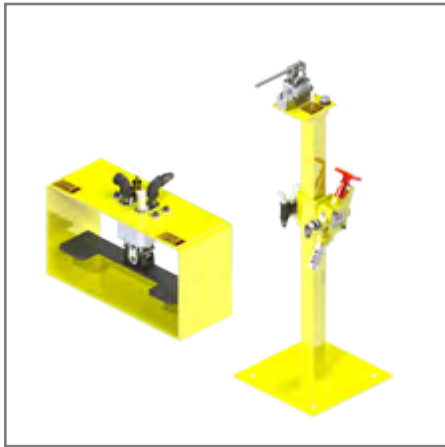
Designed for ground level lifting and loading with a pallet jack when fork truck access is limited. Capacity up to 6,000 lbs. [2,722kg].



**Zero Lift Loaders**

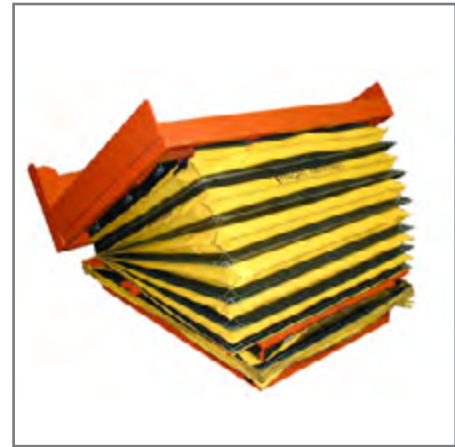
Combines the convenience of ground level loading with the footprint of a standard lift table. Capacity up to 6,000 lbs. [2,722kg].

# Table Accessories



**Hand and Foot Controls**

Table controls are available in a pedestal mounted or floor mounted configuration.



**Bellows Skirting**

Protective covering that serves as a barrier for the operator. Skirting keeps debris from entering the table.



**Motion Stabilizer**

Stabilizes loads traveling upward/downward in a smooth, consistent manner. Typically used for loads that are greater than 4,000 lbs. [1,814kg].



**Steel Riser**

The steel reinforced construction ensures a safe, sturdy mounting base. Standard and custom risers are available.